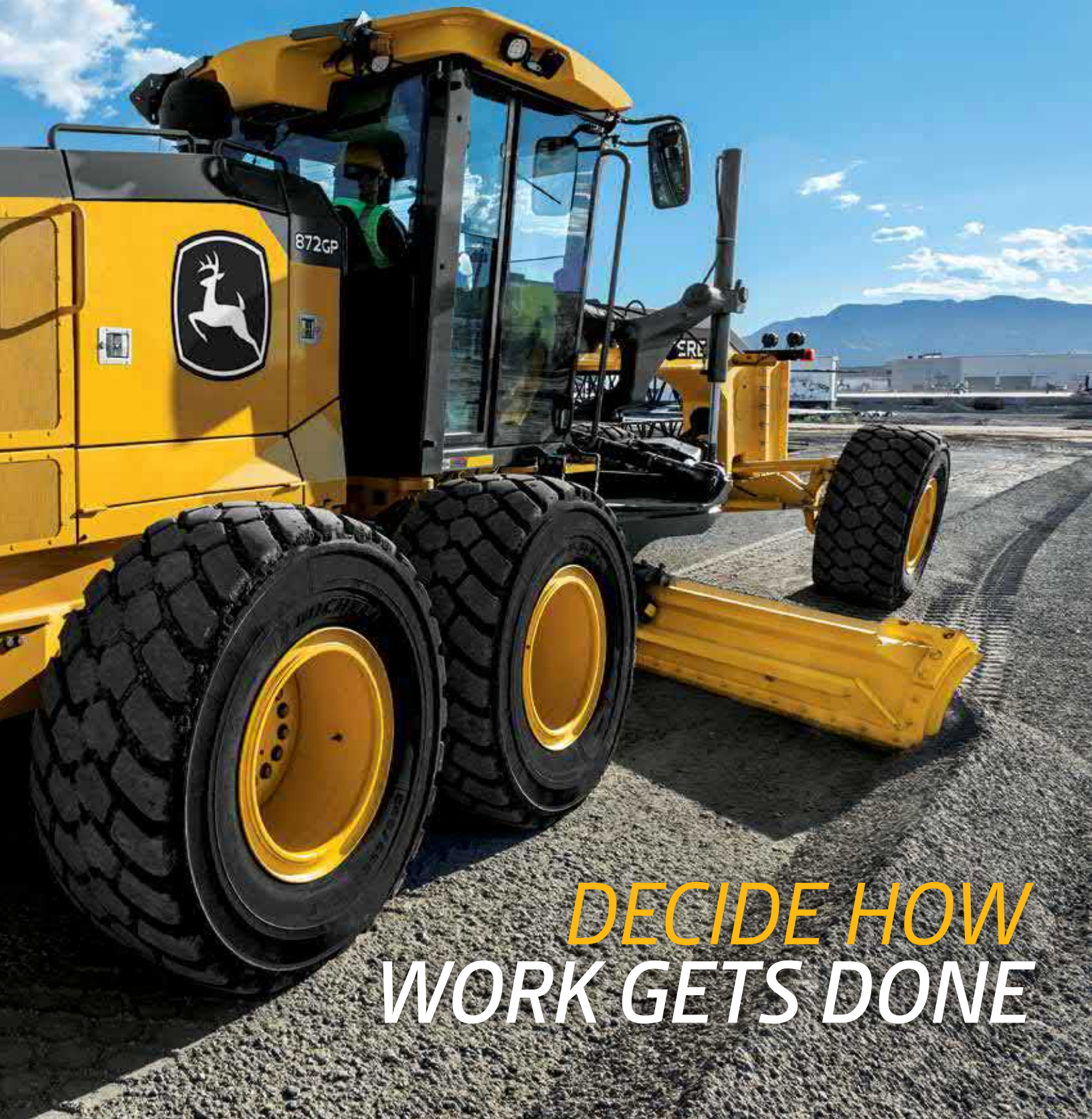


G-SERIES 6WD
MOTOR GRADERS



JOHN DEERE

622G/GP / 672G/GP / 772G/GP / 872G/GP



DECIDE HOW
WORK GETS DONE



MORE
CONTROL
OPTIONS



FACTORY EQUIPPED
WITH OPTIONAL
SMARTGRADE™



ONE



DEERE

MANY OPTIONS.

CLEAR CHOICE.



THE FUTURE OF GRADING
TAKES A FORWARD LEAP.

Inspired by the best ideas of customers like you, John Deere motor graders are known for their exceptional control and effortless grading precision. And now, we're adding exclusive automation on Grade Pro (GP) models to our list of featured firsts. In addition to Customer Advocate Group-tested dual-joystick controls, wide-ranging grade-control system options including integrated SmartGrade models, and the small and economical 622G, it's just one more example of innovations we've accelerated to help your operation jump to the next level.



WHEN YOU ASK, WE LISTEN: THE 622G GRADER.

Our competitively priced 622G offers contractors, townships, and municipalities the grader they've been asking for. With just the right amount of power and fuel savings of up to 10 percent over our larger models, it's equipped — not stripped — to include many of the same features found on its larger siblings, including a superior cooling package and ground-level service.

DO YOUR LEVEL BEST.

BETTER SPECS, MORE OPTIONS HELP IMPROVE YOUR GRADES

With their exceptional balance, improved performance specs, and more maximum capability, G-Series Graders are always right on the money, especially for contractors, counties/municipalities, or land-leveling applications.

Innovation in action

New John Deere automation features designed to move you ahead in a big way include Machine-Damage Avoidance, Machine Presets, Auto-Articulation, Auto-Gain for Cross Slope, and Auto-Pass (available on GP models; see page 6 for all the details).

Move ahead

Auto-Shift PLUS simplifies operation of both GP and G-Series models, for machine operation without using the inching pedal.

More horsepower and torque

Increased engine horsepower, torque, and blade pull produce generous power and lugging ability, to deliver more power to the ground, easily pull through tough spots, or tackle steep hills.

Power for the job

G-Series Graders deliver the right amount of power, right when you need it. Horsepower and torque are optimized for each gear to maximize performance, no matter your application.

Unlimited grade control

Industry-first John Deere SmartGrade Motor Graders are fully integrated and calibrated from the factory, arriving at your jobsite ready to work. In-cylinder position sensing allows the machine to stay on grade no matter what blade pitch, articulation angle, or circle offset you're running.

Smarter from day one

Integration of SmartGrade into the cabin and structures helps shield key grade-control components such as wire harnesses and sensors from damage and theft. And without external grade-control components to impede maneuverability, final-grade machines can be involved earlier and more effectively in site development.

Six-wheel drive

Equip these six-wheel-drive models with Precision mode for maximum productivity in all soil conditions. Six-wheel drive is adjustable on the fly to meet changing soil conditions.



**INDUSTRY-FIRST AUTOMATION
FEATURES & SMARTGRADE
CONFIGURATIONS**

GET OUT AHEAD OF IT

THE JOHN DEERE DIFFERENCE.

Set yourself apart from the competition. Because with industry-exclusive Auto-Gain for Cross Slope, Auto-Pass, and Auto-Shift PLUS, it's push-button easy to move ahead. Our automation advantages for all Grade Pro (GP) models are also available as field kits that can be unlocked on SmartGrade models.



1 Exclusive **Auto-Shift PLUS** – also available on all G-Series models – allows operators to work without using the inching pedal.

2 **Auto-Gain for Cross Slope** automatically adjusts gain settings based on ground speed to maximize performance.

3 **Auto-Articulation** allows the operator to increase the maneuverability of coordinated steering and articulation while using only the joystick-steering function to steer and operate other necessary functions without manually articulating the machine.

4 **Machine-Damage Avoidance** eliminates the risk of blade damage to machine structures during any operation, even complex orientations.

5 Exclusive **Auto-Pass** makes grading easy by automatically placing the blade on the ground and activating the grade-control system (when equipped) at the start of the pass, then automatically raising and resetting the blade at the end of it.

6 Preparing the machine for transport is push-button easy with **Machine Presets**. Stow the blade and ripper, turn on the lights including the hazards, and enable Auto-Shift with one button press, for speedy jobsite transitions.

Optional premium circle

Featuring a fully sealed bearing and pinion that run smoother and quieter, this industry-leading design reduces operating costs while delivering 40-percent more torque and 15-percent more speed than a traditional circle. Contractors no longer have to compensate for wear in the circle, improving accuracy when using a grade-control system – especially impactful when coupled with the innovative John Deere SmartGrade™ system. And greasing intervals of only four zerks every 500 hours make the premium circle essentially maintenance free.



TAKE CONTROL

WITHOUT LIFTING A FINGER.

Our G-Series Graders give you more choice of how work gets done. On our GP models opt for dual-joystick controls or choose state-of-the-art fingertip armrest controls. Or have the best of both worlds — a field kit allows you to easily swap between the two. Our G models offer conventional lever-operated controls. And based on customer feedback, all models still have a steering wheel. The choice is yours.



Joystick option

Our dual-joystick option provides intuitive control with minimal hand motion during direction changes and gear shifts. Dual-joystick controls help reduce operator fatigue by eliminating the twisting wrist motion or uncomfortable combinations common to other joystick systems.

Precise control with less fatigue

Instead of twisting the controller, actuate articulation and circle-rotate functions using proportional roller switches.

Return-to-straight

At the touch of a button, return-to-straight automatically straightens an articulated frame, speeding work cycles.

Automated cross slope

Both dual-joystick controls and fingertip armrest controls come equipped with cross slope and are ready to run the grade-control system of your choice. Automated cross slope simplifies holding a consistent slope by reducing operation to a single lever. It's a GP feature that helps veteran operators be their best and new operators get up to speed more quickly.



CHOICE OF CONTROLS

- DUAL-JOYSTICK CONTROLS (GP MODELS)
- FINGERTIP ARMREST MOUNTED (GP MODELS)
- CONVENTIONAL LEVER OPERATED (G MODELS)
- STEERING WHEEL (STANDARD ON ALL MODELS)



CAUTION
Warning: Do not use the cab entrance ladder when the machine is in operation. The cab entrance ladder is not designed for use as a step or platform. Use proper climbing technique. Do not use the cab entrance ladder to climb on or off the machine. Do not use the cab entrance ladder to climb on or off the machine when the machine is in operation. Do not use the cab entrance ladder to climb on or off the machine when the machine is in operation.

WARNING
Always use proper climbing technique. Do not jump or fall from the machine. Do not use the machine as a step or platform. Do not use the machine as a step or platform when the machine is in operation. Do not use the machine as a step or platform when the machine is in operation.



EXPANSIVE VISIBILITY

LOOK FORWARD TO MORE PRODUCTIVITY.

It's easy to see why G-Series Graders have become a favorite on a wide range of jobsites, with their expansive views, an LCD high-visibility monitor, and smooth gate-less shifting.

Exceptional view

Visibility is virtually unobstructed, with an all-around clear view to the heel and toe, and behind the moldboard. Even the area beneath the front axle is clearly within sight, for greater awareness of oncoming obstacles.

Store your stuff

Generous storage space includes numerous overhead compartments, plus a place for a beverage, cooler, cell phone, and other carry-ons.

Lighting the way

Courtesy lighting stays on after machine shutdown and then automatically turns itself off, making it safer to exit the cab after dark, while conserving battery power.

Easy-access park brake

Sealed-switch module provides push-button control of vital machine functions, including the parking brake, for more convenient access and easier operation.

Streamlined access to vital info

LCD hi-vis monitor provides intuitive, push-button access to vital machine data displayed via simple, easy-to-navigate icons and menus.

Now you see it

Contractors will benefit from improved visibility to the tandems on GP models while working around obstacles such as water mains and hubs.



NO TIME TO LO

***UPTIME ISN'T EVERYTHING,
IT'S THE ONLY THING.***

Downtime means lost productivity and profits. Which is why G-Series Graders are loaded with durability-enhancing advantages that help deliver years of trouble-free service.

**STANDARD
REVERSING FAN**
(OPTIONAL ON 622G/GP)



NOISE.

Fuel-efficient, cool-on-demand fan with reversing option

Variable-speed hydraulically driven fan runs only as fast or as often as necessary to keep things cool. Helps conserve power and fuel, while reducing noise. Standard reversible fan (optional on 622G/GP) makes for quick core cleanout in high-debris applications.

Multipurpose for your multipurposes

Redesigned heavy-duty front and rear axles combined with increased maximum operating weights enable more versatility and better blade pull for utilizing attachments.

Easy-to-clean cooling package

Cooling package eliminates stacked coolers. Combined with the hinged swing-out fan, core access is quick and cleaning is easy.

Auto shutdown reduces fuel use and wear

Auto shutdown turns off the engine after an operator-determined idle period, saving fuel and reducing wear on engine, transmission, and hydraulic components.

Save fuel with Eco mode

When engaged, Eco mode reduces engine rpm in gears 1–5, optimizing fuel usage and decreasing operating costs by up to 10 percent.

Get valuable insight with

PRECISION CONSTRUCTION

This suite of construction technology delivers **Productivity Solutions** to help you get more done, more efficiently. The in-base JDLink™ subscription provides machine location, utilization data, and alerts to help you maximize productivity and efficiency. Other productivity solutions include grade-management options for multiple machine forms and payload weighing for wheel loaders and articulated dump trucks.

To maximize uptime and lower costs, JDLink also enables **John Deere Connected Support™**. John Deere's centralized Machine Health Monitoring Center analyzes data from thousands of connected machines, identifies trends, and develops recommended actions, called Expert Alerts, to help prevent downtime. Dealers use Expert Alerts to proactively address conditions that may otherwise likely lead to downtime. Your dealer can also monitor machine health and leverage remote diagnostics and programming capability to further diagnose problems and even update machine software without a time-consuming trip to the jobsite.



TIME TO TAKE SIDES.

Fast, simple ground-level access

All daily service points, including fueling and diesel exhaust fluid (DEF), are grouped on the left side for quick and convenient ground-level access. On the right side, maintenance personnel will appreciate the easy-access engine oil, fuel, hydraulic, transmission, and differential filter bank.





622G / GP SPECIFICATIONS

While general information, pictures, and descriptions are provided, some illustrations and text may include product options and accessories NOT AVAILABLE in all regions, and in some countries products and accessories may require modifications or additions to ensure compliance with the local regulations of those countries.

Engine	622G/GP		
Manufacturer and Model	John Deere PowerTech™ PSS 6.8L	John Deere PowerTech™ Plus 6.8L	John Deere PowerTech™ 6.8L
Non-Road Emission Standard	EPA Final Tier 4/EU Stage V	EPA Tier 3/EU Stage IIIA	EPA Tier 2/EU Stage II
Cylinders	6	6	6
Displacement	6.8L (414 cu. in.)	6.8L (414 cu. in.)	6.8L (414 cu. in.)
Net Engine Power			
Gear 1	127 kW (170 hp)	127 kW (170 hp)	127 kW (170 hp)
Gear 2	138 kW (185 hp)	138 kW (185 hp)	138 kW (185 hp)
Gear 3	149 kW (200 hp)	145 kW (195 hp)	138 kW (185 hp)
Gear 4	157 kW (210 hp)	149 kW (200 hp)	138 kW (185 hp)
Gear 5	157 kW (210 hp)*	149 kW (200 hp)*	138 kW (185 hp)*
Gear 6	160 kW (215 hp)*	153 kW (205 hp)*	138 kW (185 hp)*
Gear 7	164 kW (220 hp)*	157 kW (210 hp)*	138 kW (185 hp)*
Gear 8	168 kW (225 hp)*	157 kW (210 hp)*	138 kW (185 hp)*
Net Peak Torque	1035 Nm (771 lb.-ft.)	915 Nm (682 lb.-ft.)	831 Nm (620 lb.-ft.)
Net Torque Rise	38%	30%	44%
Aspiration	Series turbocharged, charge-air cooled	Turbocharged, charge-air cooled	Turbocharged, charge-air cooled
Lubrication	Full-flow spin-on filter and integral cooler	Full-flow spin-on filter and integral cooler	Full-flow spin-on filter and integral cooler
Air Cleaner With Restriction Indicator	Dual element, dry	Dual element, dry	Dual element, dry

*6WD not available.

Cooling

Engine Coolant, Extended Life, Rating -37 deg. C (-34 deg. F)

Powertrain

6-Wheel Drive Automatic dual-path hydrostatic drive; increases tractive effort and front-end control; includes separate left and right systems with variable-displacement pumps, axial-piston wheel motors, and freewheel at transport speeds; operator-selectable 15-position rotary aggressiveness control and inching capability down to 0 mph; precision mode (propelled by front wheels only)

Effective Gears	1-4 forward and reverse
Precision Mode	
Effective Gears	1-3 forward only
Operating Speeds	0.4-8.0 km/h (0.25-5.0 mph)
Hydrostatic Pumps (2 each)	53 cm ³ (3.2 cu. in.)
Wheel Motors	57 cm ³ (3.5 cu. in.)
Final Reduction	38.7:1

Transmission Direct-drive John Deere PowerShift Plus™, modulated shift-on-the-go, Event-Based Shifting (EBS), inching pedal; independent transmission reservoir with separate filtration and cooling system with 117-L/min. (31 gpm) gear pump

Gears	
Forward	8
Reverse	8

Maximum Travel Speeds	<i>No tire slip at 2,180 rpm, 14.0-R24 tires</i>		<i>No tire slip at 2,180 rpm, 14.0-R24 tires</i>	
Gear 1	4.0 km/h (2.5 mph)	Gear 5	16.4 km/h (10.2 mph)	
Gear 2	5.6 km/h (3.5 mph)	Gear 6	23.2 km/h (14.4 mph)	
Gear 3	7.7 km/h (4.8 mph)	Gear 7	32.3 km/h (20.1 mph)	
Gear 4	10.9 km/h (6.8 mph)	Gear 8	45.5 km/h (28.3 mph)	

Front Axle Heavy-duty welded fabrication

Oscillation (total)	32 deg.
Wheel Lean Angle (each direction)	20 deg.

Differentials Spiral bevel; hydraulically actuated, clutch type can be applied on-the-go; selectable manual or automatic differential lock

Steering (all models include steering wheel) All-hydraulic power-frame articulation for maneuverability and productivity; crab steering reduces side drift, positions tandems on firm ground, and increases side-slope stability; return-to-straight control included in Grade Pro (GP) option

Turning Radius (front steer and articulation)	7.21 m (284 in.) (23 ft. 8 in.)
Articulation (both right and left)	22 deg.

Final Drives Inboard-mounted planetary sealed in cooled, filtered oil

Brakes Foot-controlled, hydraulically operated, multiple wet-disc brakes sealed in pressurized, cooled, filtered oil; both independent systems effective on all 4 tandem wheels

Primary and Secondary Brakes	Hydraulically actuated, inboard of tandem pivot, self-adjusting, sealed in cooled and filtered oil, multi-disc (ISO 3450)
Parking Brake	Automatically spring applied, hydraulically released, oil cooled, self-adjusting (ISO 3450)

622G / GP SPECIFICATIONS



While general information, pictures, and descriptions are provided, some illustrations and text may include product options and accessories NOT AVAILABLE in all regions, and in some countries products and accessories may require modifications or additions to ensure compliance with the local regulations of those countries.

Hydraulics		622G/GP
Type	Closed-center, pressure-compensated load-sensing (PCLS), variable-displacement piston pump	
Maximum Pump Flow	212 L/min. (56 gpm)	
Maximum System Pressure	18 961 kPa (2,750 psi)	
Pump Displacement	90 cm ³ (5.5 cu. in.)	
Blade Function		
All-hydraulic, industry-standard lever placement of blade-function controls; includes float position; 7 discrete saddle positions		
Blade Range		
Lift Above Ground	490 mm (19.3 in.)	
Blade Side Shift (right or left)	683 mm (26.9 in.)	
Pitch at Ground Line		
Forward	42 deg.	
Back	5 deg.	
Shoulder Reach Outside Wheels (frame straight, right or left)	2083 mm (82.0 in.) (6 ft. 10 in.)	
Bank Cut Angle (right or left)	90 deg.	
Blade Pull		
At Maximum Operating Weight	20 412 kg (45,000 lb.)	
Electrical		
Solid-state load center and sealed-switch module	<i>EPA Final Tier 4/EU Stage V</i>	<i>EPA Tier 3/EU Stage IIIA and EPA Tier 2/EU Stage II</i>
Voltage	24 volt	24 volt
Number of Batteries	2	2
Battery Capacity	1,400 CCA	950 CCA
Reserve Capacity	440 min.	190 min.
Amp-Hour Rating	224 amp-hour	110 amp-hour
Alternator Rating		
Base	130 amp	100 amp
Optional	200 amp	130 amp
Lights	Driving lights; 2 high- and 2 low-beam halogen headlights; front and rear LED turn signals and marker lights; LED brake and hazard warning lights	
Mainframe		
Type	Welded box construction	
Width (minimum)	307 mm (12.1 in.)	
Height (minimum)	307 mm (12.1 in.)	
Thickness		
Side	16 mm (0.63 in.)	
Top and Bottom Plate	23 mm (0.89 in.)	
Modulus		
Minimum Vertical Section	1445 cm ³ (88 cu. in.)	
Average Vertical Section at Saddle	2245 cm ³ (137 cu. in.)	
Draft Frame (drawbar)		
Welded box construction machined for flatness with double ball-and-socket pivot connection		
Circle		
Welded construction, heat-treated, machined for flatness		
	<i>Standard Circle</i>	<i>Premium Circle</i>
Circle Diameter	1524 mm (60 in.)	1524 mm (60 in.)
Rotation	360 deg.	360 deg.
Surface	Quick-change bronze or nylon wear inserts	Sealed and lubricated roller element slewing bearing
Pinion/Ring-Gear Connection	Adjustable backlash and open for serviceability	No adjustment; fully sealed and lubricated
Drive	Hydraulic motor and worm gear with positive lock	Hydraulic motor and worm gear with positive lock
Slip Clutch	Option	Standard
Circle Side Shift (right and left)	787 mm (31 in.)	787 mm (31 in.)
Moldboard		
High-strength, pre-stressed for higher strength; wear-resistant, high-carbon steel and reversible end bits; blade side-shift wear system includes quick-change replaceable wear inserts and quick-adjust jackscrew system		
Base Length	3.66 m (144 in.) (12 ft. 0 in.)	
Height (measured along arc, including cutting edge)	610 mm (24 in.)	
Thickness	22 mm (0.88 in.)	

Cutting Edge		622G/GP	
Dura-Max™ through-hardened steel edge			
Thickness	16 mm (0.62 in.)		
Width	152 mm (6 in.)		
Scarifiers			
	<i>Front</i>	<i>Mid-mount</i>	
Type	V-type toolbar with 2-pitch positions and hydraulic float	Radial linkage, with NeverGrease™ pin joints; V-type manual 3-pitch positions and hydraulic float	
Width of Cut	1.20 m (48 in.) (4 ft. 0 in.)	1.19 m (46.7 in.) (3 ft. 11 in.)	
Number of Shanks/Teeth	5 (maximum capacity 9)	11	
Lift Above Ground	589 mm (23.2 in.)	335 mm (13.2 in.)	
Maximum Depth	335 mm (13.2 in.)	325 mm (12.8 in.)	
Shank			
Spacing	146 mm (5.75 in.)	117 mm (4.6 in.)	
Size	25 x 76 mm (1 x 3 in.)	25 x 76 mm (1 x 3 in.)	
Front Lift Group (Balderson-style)			
Parallel linkage, mechanical pins, and hydraulic float			
Lift			
Above Ground (top of tube)	1864 mm (73.4 in.)		
Range	988 mm (38.9 in.)		
Rear Ripper/Scarifier			
Parallel linkage, with NeverGrease pin joints, hydraulic float, and integrated hitch			
	<i>Ripper</i>	<i>Scarifier</i>	
Width of Cut	2.21 m (87.2 in.) (7 ft. 3 in.)	2.18 m (86 in.) (7 ft. 2 in.)	
Number of Shanks/Teeth	3 (maximum capacity 5)	None standard (maximum capacity 9)	
Lift Above Ground	602 mm (23.7 in.)	810 mm (31.9 in.)	
Maximum Depth	426 mm (16.8 in.)	323 mm (12.7 in.)	
Force			
Penetration	9494 kg (20,932 lb.)	—	
Pry-Out	12 387 kg (27,309 lb.)	—	
Shank Size	61.5 x 133 mm (2.42 x 5.25 in.)	25 x 76 mm (1 x 3 in.)	
Operator Station			
Low-profile cab with ROPS (ISO 3471-2008) and FOPS (ISO 3449-2005)			
Tires/Wheels			
	<i>13x24 on 254-mm (10 in.) Rim</i>	<i>14R24 on 254-mm (10 in.) Rim</i>	<i>17.5R25 on 356-mm (14 in.) Rim</i>
Wheel Tread on Ground	2.08 m (82 in.)	2.08 m (82.0 in.)	2.16 m (85.0 in.)
Overall Width	2.49 m (98 in.)	2.49 m (98.0 in.)	2.64 m (104.0 in.)
Ground Clearance (front axle)	557 mm (21.9 in.)	587 mm (23.1 in.)	587 mm (23.1 in.)
Serviceability			
Refill Capacities	<i>EPA Final Tier 4/EU Stage V</i>	<i>EPA Tier 3/EU Stage IIIA and EPA Tier 2/EU Stage II</i>	
Fuel Tank	416.5 L (110 gal.)	303 L (80 gal.)	
Diesel Exhaust Fluid (DEF) Tank	22.5 L (6 gal.)	—	
Cooling System	51.0 L (13.5 gal.)	44.0 L (11.6 gal.)	
Engine Oil With Filter	31.5 L (8.3 gal.)	26.0 L (6.9 gal.)	
Transmission Fluid	28.4 L (7.5 gal.)	28.4 L (7.5 gal.)	
Differential Housing	38.0 L (10 gal.)	38.0 L (10 gal.)	
Tandem Housings (each)	74.0 L (19.5 gal.)	74.0 L (19.5 gal.)	
Circle Gearbox	5.7 L (1.5 gal.)	5.7 L (1.5 gal.)	
Hydraulic Reservoir	60.5 L (16 gal.)	53.0 L (14 gal.)	
Operating Weights			
With Full Fuel Tank, 3.66-m x 610-mm x 22-mm (12 ft. x 24 in. x 0.88 in.) Moldboard With 152-mm x 16-mm (6 in. x 5/8 in.) Cutting Edges, 14R24 L2 Tires, and 79-kg 175 lb.)			
Operator	<i>EPA Final Tier 4/EU Stage V</i>	<i>EPA Tier 3/EU Stage IIIA and EPA Tier 2/EU Stage II</i>	
Front	4795 kg (10,572 lb.)	4860 kg (10,713 lb.)*	
Rear	11 995 kg (26,443 lb.)	11 178 kg (24,643 lb.)*	
Total	16 790 kg (37,015 lb.)	16 038 kg (35,357 lb.)*	
Typical Operating Weight With Front Push Block, Rear Ripper/Scarifier, and Other Equipment			
Front	5438 kg (11,998 lb.)	5591 kg (12,325 lb.)	
Rear	13 662 kg (30,120 lb.)	12 710 kg (28,020 lb.)	
Total	19 100 kg (42,108 lb.)	18 300 kg (40,345 lb.)	
Maximum Operating Weight	22 680 kg (50,000 lb.)	22 680 kg (50,000 lb.)	
*With 13-24 Bias L2 tires.			

While general information, pictures, and descriptions are provided, some illustrations and text may include product options and accessories NOT AVAILABLE in all regions, and in some countries products and accessories may require modifications or additions to ensure compliance with the local regulations of those countries.

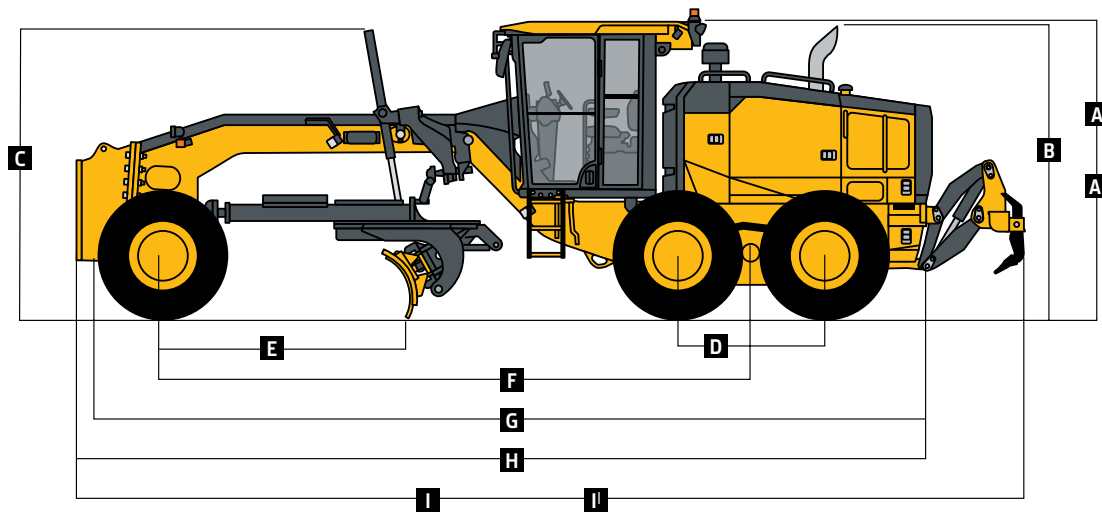
Option Weights	622G/GP
Moldboards With Through-Hardened Dura-Max Cutting Edge	
3.66 m x 610 mm x 22 mm (12 ft. x 24 in. x 7/8 in.) with 152-mm x 16-mm (6 in. x 5/8 in.) cutting edge and 16-mm (5/8 in.) hardware	0 kg (0 lb.)
3.66 m x 610 mm x 22 mm (12 ft. x 24 in. x 7/8 in.) with 203-mm x 19-mm (8 in. x 3/4 in.) cutting edge and 16-mm (5/8 in.) hardware	45 kg (99 lb.)
4.27 m x 610 mm x 22 mm (14 ft. x 24 in. x 7/8 in.) with 152-mm x 16-mm (6 in. x 5/8 in.) cutting edge and 16-mm (5/8 in.) hardware	105 kg (231 lb.)
4.27 m x 610 mm x 22 mm (14 ft. x 24 in. x 7/8 in.) with 203-mm x 19-mm (8 in. x 3/4 in.) cutting edge and 16-mm (5/8 in.) hardware	157.4 kg (347 lb.)
Extensions, 610 mm (2 ft.) (right or left)	
For Use With 610-mm (24 in.) Moldboards	116 kg (255 lb.)
Overlay End Bits, Reversible (one pair)	
For 152-mm (6 in.) Cutting Edge	19.5 kg (43 lb.)
For 203-mm (8 in.) Cutting Edge	23 kg (51 lb.)
Circle-Drive Slip Clutch	9 kg (20 lb.)
Circle	
Standard	0 kg (0 lb.)
Premium	289 kg (638 lb.)
Moldboard Impact-Absorption System	43 kg (95 lb.)
Ripper, 3 Shank, No Scarifier	1052 kg (2,319 lb.)
Ripper/Scarifier, Rear Mounted With Hitch and Ripper Shanks (3)	1139 kg (2,510 lb.)
Scarifier Shanks With Teeth (9 for rear ripper/scarifier)	68 kg (150 lb.)
Rear Counterweight With Integral Rear Hitch	727 kg (1,603 lb.)
Rear Hitch	54.4 kg (120 lb.)
Push Block, Front	907 kg (2,000 lb.)
Scarifier	
Front Mount With Teeth (5)	831 kg (1,833 lb.)
Mid-Mount With Teeth (11)	1481 kg (3,265 lb.)

Machine Dimensions	
A Height to Top of Cab	3.18 m (10 ft. 5 in.)
A' Height to Top of Full-Height Cab	3.40 m (11 ft. 2 in.)
B Height to Top of Exhaust	3.10 m (10 ft. 2 in.)
C Height to Top of Blade-Lift Cylinders	3.05 m (10 ft. 0 in.)
D Tandem Axle Spacing	1.54 m (5 ft. 1 in.)
E Blade Base	2.57 m (8 ft. 5 in.)

Option Weights (continued)	622G/GP
Front Lift Group (Balderson-style)	763 kg (1,682 lb.)
Tires	
13.00-24, 12 PR G2	-306 kg (-675 lb.)
14.00-24, 12 PR G2	-220.4 kg (-486 lb.)
17.5-25, 12 PR G2/L2	-106 kg (-234 lb.)
14.00-R24, Radial, G2/L2 General Purpose	0 kg (0 lb.)
14.00-R24, Radial, G2/L2 Snow	40.8 kg (90 lb.)
17.5-R25, Radial, L2 General Purpose	51.7 kg (114 lb.)
17.5-R25, Radial, G2/L2 Snow	95.3 kg (210 lb.)
17.5-R25, Radial, G3/L3 General Purpose	141.5 kg (312 lb.)
Multi-Piece Rims	
254 mm x 610 mm (10 in. x 24 in.)	0 kg (0 lb.)
356 mm x 635 mm (14 in. x 25 in.)	85.3 kg (188 lb.)
Fenders	
Front	99 kg (218 lb.)
Rear	141 kg (310 lb.)
Low Cab With Opening Front and Side Windows	14.5 kg (32 lb.)
Premium Air-Suspension, Heated Seat With Adjustable Arm- and Headrests	13 kg (28 lb.)
Coolant Heater	4 kg (9 lb.)
Quick Service	11 kg (24 lb.)
Sound-Absorption Package (machines equipped with Tier 3/Stage IIIA and Tier 2/Stage II engines only)	14 kg (31 lb.)
Secondary Steering	26 kg (58 lb.)
Beacon Bracket	8 kg (18 lb.)
Fire Extinguisher	14.5 kg (32 lb.)
Lighting Packages	
10 Halogen Lights	4.5 kg (10 lb.)
18 Halogen Lights	8 kg (18 lb.)
18 LED Lights	7 kg (16 lb.)
High-Front Light Bar for Snowplowing	20 kg (44 lb.)
Auxiliary Hydraulic Control Valve Section and Controls	7 kg (15 lb.)
Hydraulics for Front-Mounted Equipment	9 kg (19 lb.)

Machine Dimensions (continued)	
F Wheelbase	6.16 m (20 ft. 3 in.)
G Overall Length	8.89 m (29 ft. 2 in.)
H Overall Length With Scarifier	9.69 m (31 ft. 9 in.)
I Overall Length With Push Block and Ripper	9.99 m (32 ft. 9 in.)
I' Overall Length With Scarifier and Ripper	10.59 m (34 ft. 9 in.)

For Overall Width see Tires/Wheels on page 16.





672G / GP SPECIFICATIONS

While general information, pictures, and descriptions are provided, some illustrations and text may include product options and accessories NOT AVAILABLE in all regions, and in some countries products and accessories may require modifications or additions to ensure compliance with the local regulations of those countries.

Engine	672G/GP		
Manufacturer and Model	John Deere PowerTech™ PSS 9.0L	John Deere PowerTech™ Plus 9.0L	John Deere PowerTech™ 9.0L
Non-Road Emission Standard	EPA Final Tier 4/EU Stage V	EPA Tier 3/EU Stage IIIA	EPA Tier 2/EU Stage II
Cylinders	6	6	6
Displacement	9.0L (548 cu. in.)	9.0L (548 cu. in.)	9.0L (548 cu. in.)
Net Engine Power			
Gear 1	149 kW (200 hp)	149 kW (200 hp)	149 kW (200 hp)
Gear 2	157 kW (210 hp)	157 kW (210 hp)	157 kW (210 hp)
Gear 3	168 kW (225 hp)	164 kW (220 hp)	164 kW (220 hp)
Gear 4	172 kW (230 hp)	168 kW (225 hp)	168 kW (225 hp)
Gear 5	179 kW (240 hp)	172 kW (230 hp)	172 kW (230 hp)
Gear 6	187 kW (250 hp)	179 kW (240 hp)	179 kW (240 hp)
Gear 7	190 kW (255 hp)	187 kW (250 hp)	187 kW (250 hp)
Gear 8	190 kW (255 hp)*	179 kW (240 hp)*	179 kW (240 hp)*
Net Peak Torque	1292 Nm (963 lb.-ft.)	1250 Nm (932 lb.-ft.)	1250 Nm (932 lb.-ft.)
Net Torque Rise	50%	51%	51%
Aspiration	Series turbocharged, charge-air cooled	Turbocharged, charge-air cooled	Turbocharged, charge-air cooled
Lubrication	Full-flow spin-on filter and integral cooler	Full-flow spin-on filter and integral cooler	Full-flow spin-on filter and integral cooler
Air Cleaner With Restriction Indicator	Dual element, dry	Dual element, dry	Dual element, dry

*6WD not available.

Cooling

Engine Coolant, Extended Life, Rating -37 deg. C (-34 deg. F)

Powertrain

6-Wheel Drive Automatic dual-path hydrostatic drive; increases tractive effort and front-end control; includes separate left and right systems with variable-displacement pumps, axial-piston wheel motors, and freewheel at transport speeds; operator-selectable 15-position rotary aggressiveness control and inching capability down to 0 mph; precision mode (propelled by front wheels only)

Effective Gears	1-7 forward and reverse		
Precision Mode			
Effective Gears	1-3 forward only		
Operating Speeds	0.4-8.0 km/h (0.25-5.0 mph)		
Hydrostatic Pumps (2 each)	53 cm ³ (3.2 cu. in.)		
Wheel Motors	57 cm ³ (3.5 cu. in.)		
Final Reduction	38.7:1		

Transmission Direct-drive John Deere PowerShift Plus™, modulated shift-on-the-go, Event-Based Shifting (EBS), inching pedal; independent transmission reservoir with separate filtration and cooling system with 117-L/min. (31 gpm) gear pump

Gears			
Forward	8		
Reverse	8		

Maximum Travel Speeds *No tire slip at 2,180 rpm, 14.0-R24 tires* *No tire slip at 2,180 rpm, 14.0-R24 tires*

Gear 1	4.0 km/h (2.5 mph)	Gear 5	16.4 km/h (10.2 mph)
Gear 2	5.6 km/h (3.5 mph)	Gear 6	23.2 km/h (14.4 mph)
Gear 3	7.7 km/h (4.8 mph)	Gear 7	32.3 km/h (20.1 mph)
Gear 4	10.9 km/h (6.8 mph)	Gear 8	45.5 km/h (28.3 mph)

Front Axle Heavy-duty welded fabrication

Oscillation (total)	32 deg.
Wheel Lean Angle (each direction)	20 deg.

Differentials Spiral bevel; hydraulically actuated, clutch type can be applied on-the-go; selectable manual or automatic differential lock

Steering (all models include steering wheel) All-hydraulic power-frame articulation for maneuverability and productivity; crab steering reduces side drift, positions tandems on firm ground, and increases side-slope stability; return-to-straight control included in Grade Pro (GP) option

Turning Radius (front steer and articulation)	7.21 m (284 in.) (23 ft. 8 in.)
Articulation (both right and left)	22 deg.

Final Drives Inboard-mounted planetary sealed in cooled, filtered oil

Brakes Foot-controlled, hydraulically operated, multiple wet-disc brakes sealed in pressurized, cooled, filtered oil; both independent systems effective on all 4 tandem wheels

Primary and Secondary Brakes	Hydraulically actuated, inboard of tandem pivot, self-adjusting, sealed in cooled and filtered oil, multi-disc (ISO 3450)
Parking Brake	Automatically spring applied, hydraulically released, oil cooled, self-adjusting (ISO 3450)

672G / GP SPECIFICATIONS



While general information, pictures, and descriptions are provided, some illustrations and text may include product options and accessories NOT AVAILABLE in all regions, and in some countries products and accessories may require modifications or additions to ensure compliance with the local regulations of those countries.

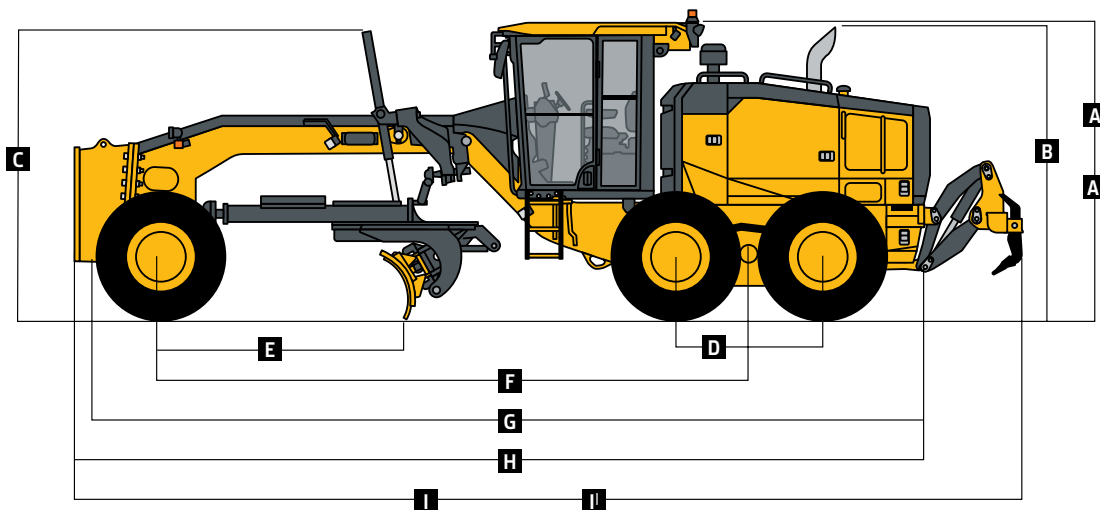
Hydraulics		672G/GP	
Type	Closed-center, pressure-compensated load-sensing (PCLS), variable-displacement piston pump		
Maximum Pump Flow	212 L/min. (56 gpm)		
Maximum System Pressure	18 961 kPa (2,750 psi)		
Pump Displacement	90 cm ³ (5.5 cu. in.)		
Blade Function			
All-hydraulic, industry-standard lever placement of blade-function controls; includes float position; 7 discrete saddle positions			
Blade Range			
Lift Above Ground	490 mm (19.3 in.)		
Blade Side Shift (right or left)	683 mm (26.9 in.)		
Pitch at Ground Line			
Forward	42 deg.		
Back	5 deg.		
Shoulder Reach Outside Wheels (frame straight, right or left)	2083 mm (82.0 in.) (6 ft. 10 in.)		
Bank Cut Angle (right or left)	90 deg.		
Blade Pull			
At Maximum Operating Weight	22 453 kg (49,500 lb.)		
Electrical			
Solid-state load center and sealed-switch module	<i>EPA Final Tier 4/EU Stage V</i>	<i>EPA Tier 3/EU Stage IIIA and EPA Tier 2/EU Stage II</i>	
Voltage	24 volt	24 volt	
Number of Batteries	2	2	
Battery Capacity	1,400 CCA	1,400 CCA	
Reserve Capacity	440 min.	440 min.	
Amp-Hour Rating	224 amp-hour	224 amp-hour	
Alternator Rating			
Base	130 amp	100 amp	
Optional	200 amp	130 amp	
Lights	Driving lights; 2 high- and 2 low-beam halogen headlights; front and rear LED turn signals and marker lights; LED brake and hazard warning lights		
Mainframe			
Type	Welded box construction		
Width (minimum)	307 mm (12.1 in.)		
Height (minimum)	307 mm (12.1 in.)		
Thickness			
Side	16 mm (0.63 in.)		
Top and Bottom Plate	23 mm (0.89 in.)		
Modulus			
Minimum Vertical Section	1445 cm ³ (88 cu. in.)		
Average Vertical Section at Saddle	2245 cm ³ (137 cu. in.)		
Draft Frame (drawbar)			
Welded box construction machined for flatness with double ball-and-socket pivot connection			
Circle			
Welded construction, heat-treated, machined for flatness			
	<i>Standard Circle</i>	<i>Premium Circle</i>	
Circle Diameter	1524 mm (60 in.)	1524 mm (60 in.)	
Rotation	360 deg.	360 deg.	
Surface	Quick-change bronze or nylon wear inserts	Sealed and lubricated roller element slewing bearing	
Pinion/Ring-Gear Connection	Adjustable backlash and open for serviceability	No adjustment; fully sealed and lubricated	
Drive	Hydraulic motor and worm gear with positive lock	Hydraulic motor and worm gear with positive lock	
Slip Clutch	Option	Standard	
Circle Side Shift (right and left)	787 mm (31 in.)	787 mm (31 in.)	
Moldboard			
High-strength, pre-stressed for higher strength; wear-resistant, high-carbon steel and reversible end bits; blade side-shift wear system includes quick-change replaceable wear inserts and quick-adjust jackscrew system			
Base Length	3.66 m (144 in.) (12 ft. 0 in.)		
Height (measured along arc, including cutting edge)	610 mm (24 in.)		
Thickness	22 mm (0.88 in.)		

Cutting Edge		672G/GP
Dura-Max™ through-hardened steel edge		
Thickness	16 mm (0.62 in.)	
Width	152 mm (6 in.)	
Scarifiers		
	<i>Front</i>	<i>Mid-mount</i>
Type	V-type toolbar with 2-pitch positions and hydraulic float	Radial linkage, with NeverGrease™ pin joints; V-type manual 3-pitch positions and hydraulic float
Width of Cut	1.20 m (48 in.) (4 ft. 0 in.)	1.19 m (46.7 in.) (3 ft. 11 in.)
Number of Shanks/Teeth	5 (maximum capacity 9)	11
Lift Above Ground	589 mm (23.2 in.)	335 mm (13.2 in.)
Maximum Depth	335 mm (13.2 in.)	325 mm (12.8 in.)
Shank		
Spacing	146 mm (5.75 in.)	117 mm (4.6 in.)
Size	25 x 76 mm (1 x 3 in.)	25 x 76 mm (1 x 3 in.)
Front Lift Group (Balderson-style)		
Parallel linkage, mechanical pins, and hydraulic float		
Lift		
Above Ground (top of tube)	1864 mm (73.4 in.)	
Range	988 mm (38.9 in.)	
Rear Ripper/Scarifier		
Parallel linkage, with NeverGrease pin joints, hydraulic float, and integrated hitch		
	<i>Ripper</i>	<i>Scarifier</i>
Width of Cut	2.21 m (87.2 in.) (7 ft. 3 in.)	2.18 m (86 in.) (7 ft. 2 in.)
Number of Shanks/Teeth	3 (maximum capacity 5)	None standard (maximum capacity 9)
Lift Above Ground	602 mm (23.7 in.)	810 mm (31.9 in.)
Maximum Depth	426 mm (16.8 in.)	323 mm (12.7 in.)
Force		
Penetration	9719 kg (21,426 lb.)	—
Pry-Out	13 702 kg (30,207 lb.)	—
Shank Size	61.5 x 133 mm (2.42 x 5.25 in.)	25 x 76 mm (1 x 3 in.)
Operator Station		
Low-profile cab with ROPS (ISO 3471-2008) and FOPS (ISO 3449-2005)		
Tires/Wheels		
	<i>14R24 on 254-mm (10 in.) Rim</i>	<i>17.5R25 on 356-mm (14 in.) Rim</i>
Wheel Tread on Ground	2.08 m (82.0 in.)	2.16 m (85.0 in.)
Overall Width	2.49 m (98.0 in.)	2.64 m (104.0 in.)
Ground Clearance (front axle)	587 mm (23.1 in.)	587 mm (23.1 in.)
Serviceability		
Refill Capacities	<i>EPA Final Tier 4/EU Stage V</i>	<i>EPA Tier 3/EU Stage IIIA and EPA Tier 2/EU Stage II</i>
Fuel Tank	416.5 L (110 gal.)	416.5 L (110 gal.)
Diesel Exhaust Fluid (DEF) Tank	22.5 L (6 gal.)	—
Cooling System	55.0 L (14.5 gal.)	48.5 L (12.8 gal.)
Engine Oil With Filter	28.4 L (7.5 gal.)	28.0 L (7.4 gal.)
Transmission Fluid	28.4 L (7.5 gal.)	28.4 L (7.5 gal.)
Differential Housing	38.0 L (10 gal.)	38.0 L (10 gal.)
Tandem Housings (each)	74.0 L (19.5 gal.)	74.0 L (19.5 gal.)
Circle Gearbox	5.7 L (1.5 gal.)	5.7 L (1.5 gal.)
Hydraulic Reservoir	60.5 L (16 gal.)	53.0 L (14 gal.)
Operating Weights		
With Full Fuel Tank, 3.66-m x 610-mm x 22-mm (12 ft. x 24 in. x 0.88 in.) Moldboards		
With 152-mm x 16-mm (6 in. x 5/8 in.) Cutting Edges, 14R24 L2 Tires, and 79-kg 175 lb.)		
Operator	<i>EPA Final Tier 4/EU Stage V</i>	<i>EPA Tier 3/EU Stage IIIA and EPA Tier 2/EU Stage II</i>
Front	4835 kg (10,660 lb.)	4840 kg (10,670 lb.)
Rear	12 305 kg (27,128 lb.)	11 825 kg (26,070 lb.)
Total	17 140 kg (37,788 lb.)	16 665 kg (36,740 lb.)
Typical Operating Weight With Front Push Block, Rear Ripper/Scarifier, and Other Equipment		
Front	6015 kg (13,260 lb.)	5987 kg (13,200 lb.)
Rear	13 985 kg (30,832 lb.)	13 342 kg (29,415 lb.)
Total	20 000 kg (44,092 lb.)	19 330 kg (42,615 lb.)
Maximum Operating Weight	24 948 kg (55,000 lb.)	24 948 kg (55,000 lb.)

While general information, pictures, and descriptions are provided, some illustrations and text may include product options and accessories NOT AVAILABLE in all regions, and in some countries products and accessories may require modifications or additions to ensure compliance with the local regulations of those countries.

Option Weights	672G/GP
Moldboards With Through-Hardened Dura-Max Cutting Edge	
3.66 m x 610 mm x 22 mm (12 ft. x 24 in. x 7/8 in.) with 152-mm x 16-mm (6 in. x 5/8 in.) cutting edge and 16-mm (5/8 in.) hardware	0 kg (0 lb.)
3.66 m x 610 mm x 22 mm (12 ft. x 24 in. x 7/8 in.) with 203-mm x 19-mm (8 in. x 3/4 in.) cutting edge and 16-mm (5/8 in.) hardware	45 kg (99 lb.)
3.96 m x 686 mm x 25 mm (13 ft. x 27 in. x 1 in.) with 203-mm x 19-mm (8 in. x 3/4 in.) cutting edge and 16-mm (5/8 in.) hardware	180 kg (396 lb.)
4.27 m x 610 mm x 22 mm (14 ft. x 24 in. x 7/8 in.) with 152-mm x 16-mm (6 in. x 5/8 in.) cutting edge and 16-mm (5/8 in.) hardware	105 kg (231 lb.)
4.27 m x 610 mm x 22 mm (14 ft. x 24 in. x 7/8 in.) with 203-mm x 19-mm (8 in. x 3/4 in.) cutting edge and 16-mm (5/8 in.) hardware	157.4 kg (347 lb.)
4.27 m x 686 mm x 25 mm (14 ft. x 27 in. x 1 in.) with 203-mm x 19-mm (8 in. x 3/4 in.) cutting edge and 16-mm (5/8 in.) hardware	251 kg (554 lb.)
4.27 m x 686 mm x 25 mm (14 ft. x 27 in. x 1 in.) with 203-mm x 19-mm (8 in. x 3/4 in.) cutting edge and 19-mm (3/4 in.) hardware	261 kg (575 lb.)
Extensions, 610 mm (2 ft.) (right or left)	
For Use With 610-mm (24 in.) Moldboards	116 kg (255 lb.)
For Use With 686-mm (27 in.) Moldboards	120 kg (265 lb.)
Overlay End Bits, Reversible (one pair)	
For 152-mm (6 in.) Cutting Edge	19.5 kg (43 lb.)
For 203-mm (8 in.) Cutting Edge	23 kg (51 lb.)
Heavy-Duty Dual-Input Circle-Drive Gearbox	14 kg (31 lb.)
Circle-Drive Slip Clutch	9 kg (20 lb.)
Circle	
Standard	0 kg (0 lb.)
Premium	289 kg (638 lb.)
Moldboard Impact-Absorption System	43 kg (95 lb.)
Ripper/Scarifier, Rear Mounted With Hitch and Ripper Shanks (3)	1139 kg (2,510 lb.)
Scarifier Shanks With Teeth (9 for rear ripper/scarifier)	68 kg (150 lb.)
Ripper Shanks and Teeth (2)	63 kg (139 lb.)
Machine Dimensions	
A Height to Top of Cab	3.18 m (10 ft. 5 in.)
A' Height to Top of Full-Height Cab	3.40 m (11 ft. 2 in.)
B Height to Top of Exhaust	3.10 m (10 ft. 2 in.)
C Height to Top of Blade-Lift Cylinders	3.05 m (10 ft. 0 in.)
D Tandem Axle Spacing	1.54 m (5 ft. 1 in.)
E Blade Base	2.57 m (8 ft. 5 in.)

Option Weights (continued)	672G/GP
Rear Counterweight With Integral Rear Hitch	727 kg (1,603 lb.)
Rear Hitch	54.4 kg (120 lb.)
Push Block, Front	1338 kg (2,950 lb.)
Scarifier	
Front Mount With Teeth (5)	831 kg (1,833 lb.)
Mid-Mount With Teeth (11)	1481 kg (3,265 lb.)
Front Lift Group (Balderson-style)	763 kg (1,682 lb.)
Tires	
14.00-24, 12 PR G2	-220.4 kg (-486 lb.)
17.5-25, 12 PR G2/L2	-106 kg (-234 lb.)
14.00-R24, Radial, G2/L2 General Purpose	0 kg (0 lb.)
14.00-R24, Radial, G2/L2 Snow	40.8 kg (90 lb.)
17.5-R25, Radial, L2 General Purpose	51.7 kg (114 lb.)
17.5-R25, Radial, G2/L2 Snow	95.3 kg (210 lb.)
17.5-R25, Radial, G3/L3 General Purpose	141.5 kg (312 lb.)
Multi-Piece Rims	
254 mm x 610 mm (10 in. x 24 in.)	0 kg (0 lb.)
356 mm x 635 mm (14 in. x 25 in.)	85.3 kg (188 lb.)
Fenders	
Front	99 kg (218 lb.)
Rear	141 kg (310 lb.)
Low Cab With Opening Front and Side Windows	14.5 kg (32 lb.)
Premium Air-Suspension, Heated Seat With Adjustable Arm- and Headrests	13 kg (28 lb.)
Coolant Heater	4 kg (9 lb.)
Quick Service	11 kg (24 lb.)
Sound-Absorption Package (machines equipped with Tier 3/Stage IIIA and Tier 2/Stage II engines only)	14 kg (31 lb.)
Secondary Steering	26 kg (58 lb.)
Beacon Bracket	8 kg (18 lb.)
Fire Extinguisher	14.5 kg (32 lb.)
Lighting Packages	
10 Halogen Lights	4.5 kg (10 lb.)
18 Halogen Lights	8 kg (18 lb.)
18 LED Lights	7 kg (16 lb.)
High-Front Light Bar for Snowplowing	20 kg (44 lb.)
Auxiliary Hydraulic Control Valve Section and Controls	7 kg (15 lb.)
Hydraulics for Front-Mounted Equipment	9 kg (19 lb.)
Machine Dimensions (continued)	
F Wheelbase	6.16 m (20 ft. 3 in.)
G Overall Length	8.89 m (29 ft. 2 in.)
H Overall Length With Scarifier	9.69 m (31 ft. 9 in.)
I Overall Length With Push Block and Ripper	9.99 m (32 ft. 9 in.)
I' Overall Length With Scarifier and Ripper	10.59 m (34 ft. 9 in.)
<i>For Overall Width see Tires/Wheels on page 20.</i>	





772G / GP SPECIFICATIONS

While general information, pictures, and descriptions are provided, some illustrations and text may include product options and accessories NOT AVAILABLE in all regions, and in some countries products and accessories may require modifications or additions to ensure compliance with the local regulations of those countries.

Engine	772G/GP		
Manufacturer and Model	John Deere PowerTech™ PSS 9.0L	John Deere PowerTech™ Plus 9.0L	John Deere PowerTech™ 9.0L
Non-Road Emission Standard	EPA Final Tier 4/EU Stage V	EPA Tier 3/EU Stage IIIA	EPA Tier 2/EU Stage II
Cylinders	6	6	6
Displacement	9.0L (548 cu. in.)	9.0L (548 cu. in.)	9.0L (548 cu. in.)
Net Engine Power			
Gear 1	164 kW (220 hp)	164 kW (220 hp)	164 kW (220 hp)
Gear 2	172 kW (230 hp)	172 kW (230 hp)	172 kW (230 hp)
Gear 3	183 kW (245 hp)	179 kW (240 hp)	179 kW (240 hp)
Gear 4	187 kW (250 hp)	183 kW (245 hp)	183 kW (245 hp)
Gear 5	194 kW (260 hp)	187 kW (250 hp)	187 kW (250 hp)
Gear 6	201 kW (270 hp)	194 kW (260 hp)	194 kW (260 hp)
Gear 7	205 kW (275 hp)	201 kW (270 hp)	201 kW (270 hp)
Gear 8	205 kW (275 hp)*	194 kW (260 hp)*	194 kW (260 hp)*
Net Peak Torque	1379 Nm (1,029 lb.-ft.)	1300 Nm (970 lb.-ft.)	1300 Nm (970 lb.-ft.)
Net Torque Rise	50%	57%	57%
Aspiration	Series turbocharged, charge-air cooled	Turbocharged, charge-air cooled	Turbocharged, charge-air cooled
Lubrication	Full-flow spin-on filter and integral cooler	Full-flow spin-on filter and integral cooler	Full-flow spin-on filter and integral cooler
Air Cleaner With Restriction Indicator	Dual element, dry	Dual element, dry	Dual element, dry

*6WD not available.

Cooling

Engine Coolant, Extended Life, Rating -37 deg. C (-34 deg. F)

Powertrain

6-Wheel Drive Automatic dual-path hydrostatic drive; increases tractive effort and front-end control; includes separate left and right systems with variable-displacement pumps, axial-piston wheel motors, and freewheel at transport speeds; operator-selectable 15-position rotary aggressiveness control and inching capability down to 0 mph; precision mode (propelled by front wheels only)

Effective Gears	1-7 forward and reverse		
Precision Mode			
Effective Gears	1-3 forward only		
Operating Speeds	0.4-8.0 km/h (0.25-5.0 mph)		
Hydrostatic Pumps (2 each)	60 cm ³ (3.7 cu. in.)		
Wheel Motors	60 cm ³ (3.7 cu. in.)		
Final Reduction	38.7:1		

Transmission Direct-drive John Deere PowerShift Plus™, modulated shift-on-the-go, Event-Based Shifting (EBS), inching pedal; independent transmission reservoir with separate filtration and cooling system with 117-L/min. (31 gpm) gear pump

Gears			
Forward	8		
Reverse	8		

Maximum Travel Speeds	<i>No tire slip at 2,180 rpm, 14.0-R24 tires</i>		<i>No tire slip at 2,180 rpm, 14.0-R24 tires</i>	
Gear 1	4.0 km/h (2.5 mph)	Gear 5	16.4 km/h (10.2 mph)	
Gear 2	5.6 km/h (3.5 mph)	Gear 6	23.2 km/h (14.4 mph)	
Gear 3	7.7 km/h (4.8 mph)	Gear 7	32.3 km/h (20.1 mph)	
Gear 4	10.9 km/h (6.8 mph)	Gear 8	45.5 km/h (28.3 mph)	

Front Axle	Heavy-duty welded fabrication		
Oscillation (total)	32 deg.		
Wheel Lean Angle (each direction)	20 deg.		

Differentials Spiral bevel; hydraulically actuated, clutch type can be applied on-the-go; selectable manual or automatic differential lock

Steering (all models include steering wheel) All-hydraulic power-frame articulation for maneuverability and productivity; crab steering reduces side drift, positions tandems on firm ground, and increases side-slope stability; return-to-straight control included in Grade Pro (GP) option

Turning Radius (front steer and articulation)	7.21 m (284 in.) (23 ft. 8 in.)		
Articulation (both right and left)	22 deg.		

Final Drives Inboard-mounted planetary sealed in cooled, filtered oil

Brakes Foot-controlled, hydraulically operated, multiple wet-disc brakes sealed in pressurized, cooled, filtered oil; both independent systems effective on all 4 tandem wheels

Primary and Secondary Brakes	Hydraulically actuated, inboard of tandem pivot, self-adjusting, sealed in cooled and filtered oil, multi-disc (ISO 3450)		
Parking Brake	Automatically spring applied, hydraulically released, oil cooled, self-adjusting (ISO 3450)		

772G / GP SPECIFICATIONS



While general information, pictures, and descriptions are provided, some illustrations and text may include product options and accessories NOT AVAILABLE in all regions, and in some countries products and accessories may require modifications or additions to ensure compliance with the local regulations of those countries.

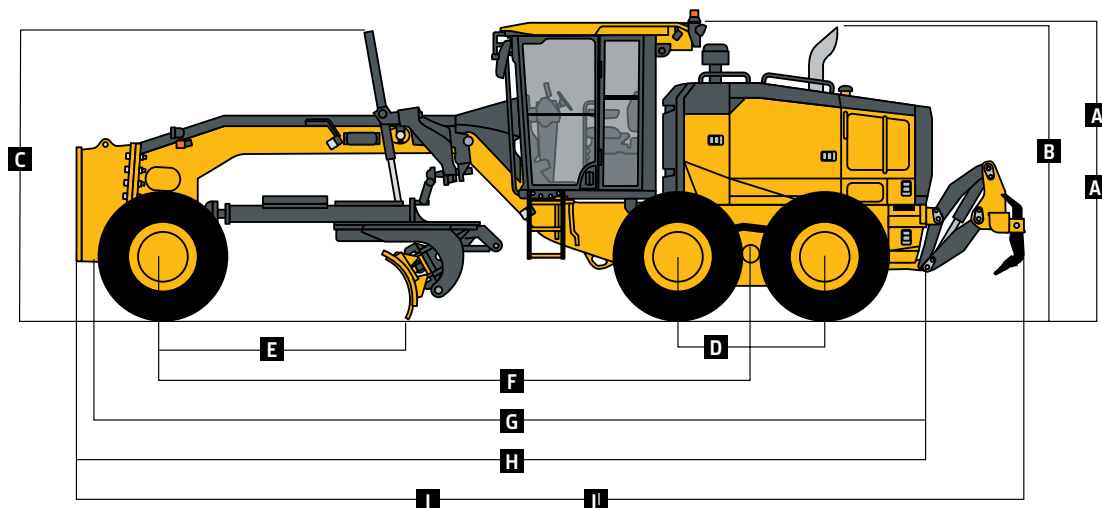
Hydraulics		772G/GP	
Type	Closed-center, pressure-compensated load-sensing (PCLS), variable-displacement piston pump		
Maximum Pump Flow	212 L/min. (56 gpm)		
Maximum System Pressure	18 961 kPa (2,750 psi)		
Pump Displacement	90 cm ³ (5.5 cu. in.)		
Blade Function			
All-hydraulic, industry-standard lever placement of blade-function controls; includes float position; 7 discrete saddle positions			
Blade Range			
Lift Above Ground	490 mm (19.3 in.)		
Blade Side Shift (right or left)	683 mm (26.9 in.)		
Pitch at Ground Line			
Forward	42 deg.		
Back	5 deg.		
Shoulder Reach Outside Wheels (frame straight, right or left)	2083 mm (82.0 in.) (6 ft. 10 in.)		
Bank Cut Angle (right or left)	90 deg.		
Blade Pull			
At Maximum Operating Weight	22 453 kg (49,500 lb.)		
Electrical			
Solid-state load center and sealed-switch module	<i>EPA Final Tier 4/EU Stage V</i>	<i>EPA Tier 3/EU Stage IIIA and EPA Tier 2/EU Stage II</i>	
Voltage	24 volt	24 volt	
Number of Batteries	2	2	
Battery Capacity	1,400 CCA	1,400 CCA	
Reserve Capacity	440 min.	440 min.	
Amp-Hour Rating	224 amp-hour	224 amp-hour	
Alternator Rating			
Base	130 amp	100 amp	
Optional	200 amp	130 amp	
Lights	Driving lights; 2 high- and 2 low-beam halogen headlights; front and rear LED turn signals and marker lights; LED brake and hazard warning lights		
Mainframe			
Type	Welded box construction		
Width (minimum)	307 mm (12.1 in.)		
Height (minimum)	307 mm (12.1 in.)		
Thickness			
Side	16 mm (0.63 in.)		
Top and Bottom Plate	23 mm (0.89 in.)		
Modulus			
Minimum Vertical Section	1770 cm ³ (108 cu. in.)		
Average Vertical Section at Saddle	2245 cm ³ (137 cu. in.)		
Draft Frame (drawbar)			
Welded box construction machined for flatness with double ball-and-socket pivot connection			
Circle			
Welded construction, heat-treated, machined for flatness			
	<i>Standard Circle</i>	<i>Premium Circle</i>	
Circle Diameter	1524 mm (60 in.)	1524 mm (60 in.)	
Rotation	360 deg.	360 deg.	
Surface	Quick-change bronze or nylon wear inserts	Sealed and lubricated roller element slewing bearing	
Pinion/Ring-Gear Connection	Adjustable backlash and open for serviceability	No adjustment; fully sealed and lubricated	
Drive	Hydraulic motor and worm gear with positive lock	Hydraulic motor and worm gear with positive lock	
Slip Clutch	Option	Standard	
Circle Side Shift (right and left)	787 mm (31 in.)	787 mm (31 in.)	
Moldboard			
High-strength, pre-stressed for higher strength, wear-resistant, high-carbon steel and reversible end bits; blade side-shift wear system includes quick-change replaceable wear inserts and quick-adjust jackscrew system			
Base Length	3.66 m (144 in.) (12 ft. 0 in.)		
Height (measured along arc, including cutting edge)	610 mm (24 in.)		
Thickness	22 mm (0.88 in.)		

Cutting Edge		772G/GP	
Dura-Max™ through-hardened steel edge			
Thickness	16 mm (0.62 in.)		
Width	152 mm (6 in.)		
Scarifiers			
	<i>Front</i>	<i>Mid-mount</i>	
Type	V-type toolbar with 2-pitch positions and hydraulic float	Radial linkage, with NeverGrease™ pin joints; V-type manual 3-pitch positions and hydraulic float	
Width of Cut	1.20 m (48 in.) (4 ft. 0 in.)	1.19 m (46.7 in.) (3 ft. 11 in.)	
Number of Shanks/Teeth	5 (maximum capacity 9)	11	
Lift Above Ground	589 mm (23.2 in.)	335 mm (13.2 in.)	
Maximum Depth	335 mm (13.2 in.)	325 mm (12.8 in.)	
Shank			
Spacing	146 mm (5.75 in.)	117 mm (4.6 in.)	
Size	25 x 76 mm (1 x 3 in.)	25 x 76 mm (1 x 3 in.)	
Front Lift Group (Balderson-style)			
Parallel linkage, mechanical pins, and hydraulic float			
Lift			
Above Ground (top of tube)	1864 mm (73.4 in.)		
Range	988 mm (38.9 in.)		
Rear Ripper/Scarifier			
Parallel linkage, with NeverGrease pin joints, hydraulic float, and integrated hitch			
	<i>Ripper</i>	<i>Scarifier</i>	
Width of Cut	2.21 m (87.2 in.) (7 ft. 3 in.)	2.18 m (86 in.) (7 ft. 2 in.)	
Number of Shanks/Teeth	3 (maximum capacity 5)	None standard (maximum capacity 9)	
Lift Above Ground	602 mm (23.7 in.)	810 mm (31.9 in.)	
Maximum Depth	426 mm (16.8 in.)	323 mm (12.7 in.)	
Force			
Penetration	9863 kg (21,745 lb.)	—	
Pry-Out	14 368 kg (31,676 lb.)	—	
Shank Size	61.5 x 133 mm (2.42 x 5.25 in.)	25 x 76 mm (1 x 3 in.)	
Operator Station			
Low-profile cab with ROPS (ISO 3471-2008) and FOPS (ISO 3449-2005)			
Tires/Wheels			
	<i>14R24 on 254-mm (10 in.) Rim</i>	<i>17.5R25 on 356-mm (14 in.) Rim</i>	<i>550/65R25 on 432-mm (17 in.) Rim</i>
Wheel Tread on Ground	2.08 m (82.0 in.)	2.16 m (85.0 in.)	2.21 m (87.0 in.)
Overall Width	2.49 m (98.0 in.)	2.64 m (104.0 in.)	2.82 m (111.0 in.)
Ground Clearance (front axle)	587 mm (23.1 in.)	587 mm (23.1 in.)	612 mm (24.1 in.)
Serviceability			
Refill Capacities	<i>EPA Final Tier 4/EU Stage V</i>	<i>EPA Tier 3/EU Stage IIIA and EPA Tier 2/EU Stage II</i>	
Fuel Tank	416.5 L (110 gal.)	416.5 L (110 gal.)	
Diesel Exhaust Fluid (DEF) Tank	22.5 L (6 gal.)	—	
Cooling System	55.0 L (14.5 gal.)	48.5 L (12.8 gal.)	
Engine Oil With Filter	28.4 L (7.5 gal.)	28.0 L (7.4 gal.)	
Transmission Fluid	28.4 L (7.5 gal.)	28.4 L (7.5 gal.)	
Differential Housing	38.0 L (10 gal.)	38.0 L (10 gal.)	
Tandem Housings (each)	74.0 L (19.5 gal.)	74.0 L (19.5 gal.)	
Circle Gearbox	5.7 L (1.5 gal.)	5.7 L (1.5 gal.)	
Hydraulic Reservoir	60.5 L (16 gal.)	53.0 L (14 gal.)	
Operating Weights			
With Full Fuel Tank, 3.66-m x 610-mm x 22-mm (12 ft. x 24 in. x 0.88 in.) Moldboards			
With 152-mm x 16-mm (6 in. x 5/8 in.) Cutting Edges, 14R24 L2 Tires, and 79-kg (175 lb.)			
Operator	<i>EPA Final Tier 4/EU Stage V</i>	<i>EPA Tier 3/EU Stage IIIA and EPA Tier 2/EU Stage II</i>	
Front	4939 kg (10,888 lb.)	4944 kg (10,900 lb.)	
Rear	12 592 kg (27,760 lb.)	11 948 kg (26,340 lb.)	
Total	17 530 kg (38,648 lb.)	16 892 kg (37,240 lb.)	
Typical Operating Weight With Front Push Block, Rear Ripper/Scarifier, and Other Equipment			
Front	6307 kg (13,905 lb.)	6343 kg (13,985 lb.)	
Rear	14 193 kg (31,290 lb.)	13 547 kg (29,865 lb.)	
Total	20 500 kg (45,195 lb.)	19 890 kg (43,850 lb.)	
Maximum Operating Weight	24 948 kg (55,000 lb.)	24 948 kg (55,000 lb.)	

While general information, pictures, and descriptions are provided, some illustrations and text may include product options and accessories NOT AVAILABLE in all regions, and in some countries products and accessories may require modifications or additions to ensure compliance with the local regulations of those countries.

Option Weights	772G/GP
Moldboards With Through-Hardened Dura-Max Cutting Edge	
3.66 m x 610 mm x 22 mm (12 ft. x 24 in. x ¾ in.) with 152-mm x 16-mm (6 in. x ¾ in.) cutting edge and 16-mm (¾ in.) hardware	0 kg (0 lb.)
3.66 m x 610 mm x 22 mm (12 ft. x 24 in. x ¾ in.) with 203-mm x 19-mm (8 in. x ¾ in.) cutting edge and 16-mm (¾ in.) hardware	45 kg (99 lb.)
3.96 m x 686 mm x 25 mm (13 ft. x 27 in. x 1 in.) with 203-mm x 19-mm (8 in. x ¾ in.) cutting edge and 16-mm (¾ in.) hardware	180 kg (396 lb.)
4.27 m x 610 mm x 22 mm (14 ft. x 24 in. x ¾ in.) with 152-mm x 16-mm (6 in. x ¾ in.) cutting edge and 16-mm (¾ in.) hardware	105 kg (231 lb.)
4.27 m x 610 mm x 22 mm (14 ft. x 24 in. x ¾ in.) with 203-mm x 19-mm (8 in. x ¾ in.) cutting edge and 16-mm (¾ in.) hardware	157.4 kg (347 lb.)
4.27 m x 686 mm x 25 mm (14 ft. x 27 in. x 1 in.) with 203-mm x 19-mm (8 in. x ¾ in.) cutting edge and 16-mm (¾ in.) hardware	251 kg (554 lb.)
4.27 m x 686 mm x 25 mm (14 ft. x 27 in. x 1 in.) with 203-mm x 19-mm (8 in. x ¾ in.) cutting edge and 19-mm (¾ in.) hardware	261 kg (575 lb.)
Extensions, 610 mm (2 ft.) (right or left)	
For Use With 610-mm (24 in.) Moldboards	116 kg (255 lb.)
For Use With 686-mm (27 in.) Moldboards	120 kg (265 lb.)
Overlay End Bits, Reversible (one pair)	
For 152-mm (6 in.) Cutting Edge	19.5 kg (43 lb.)
For 203-mm (8 in.) Cutting Edge	23 kg (51 lb.)
Heavy-Duty Dual-Input Circle-Drive Gearbox	14 kg (31 lb.)
Circle-Drive Slip Clutch	9 kg (20 lb.)
Circle	
Standard	0 kg (0 lb.)
Premium	289 kg (638 lb.)
Moldboard Impact-Absorption System	43 kg (95 lb.)
Ripper/Scarifier, Rear Mounted With Hitch and Ripper Shanks (3)	1139 kg (2,510 lb.)
Scarifier Shanks With Teeth (9 for rear ripper/scarifier)	68 kg (150 lb.)
Ripper Shanks and Teeth (2)	63 kg (139 lb.)
Rear Counterweight With Integral Rear Hitch	727 kg (1,603 lb.)
Machine Dimensions	
A Height to Top of Cab	3.18 m (10 ft. 5 in.)
A' Height to Top of Full-Height Cab	3.40 m (11 ft. 2 in.)
B Height to Top of Exhaust	3.10 m (10 ft. 2 in.)
C Height to Top of Blade-Lift Cylinders	3.05 m (10 ft. 0 in.)
D Tandem Axle Spacing	1.54 m (5 ft. 1 in.)
E Blade Base	2.57 m (8 ft. 5 in.)

Option Weights (continued)	772G/GP
Rear Hitch	54.4 kg (120 lb.)
Push Block, Front	1338 kg (2,950 lb.)
Scarifier	
Front Mount With Teeth (5)	831 kg (1,833 lb.)
Mid-Mount With Teeth (11)	1481 kg (3,265 lb.)
Front Lift Group (Balderson-style)	763 kg (1,682 lb.)
Tires	
14.00-24, 12 PR G2	-220.4 kg (-486 lb.)
17.5-25, 12 PR G2/L2	-106 kg (-234 lb.)
14.00-R24, Radial, G2/L2 General Purpose	0 kg (0 lb.)
14.00-R24, Radial, G2/L2 Snow	40.8 kg (90 lb.)
17.5-R25, Radial, L2 General Purpose	51.7 kg (114 lb.)
17.5-R25, Radial, G2/L2 Snow	95.3 kg (210 lb.)
17.5-R25, Radial, G3/L3 General Purpose	141.5 kg (312 lb.)
550/65R25 XLD70 G3/L3 Radial, General Purpose	495.3 kg (1,092 lb.)
Multi-Piece Rims	
254 mm x 610 mm (10 in. x 24 in.)	0 kg (0 lb.)
356 mm x 635 mm (14 in. x 25 in.)	85.3 kg (188 lb.)
432 mm x 635 mm (17 in. x 25 in.)	131.6 kg (290 lb.)
Fenders	
Front	99 kg (218 lb.)
Rear	141 kg (310 lb.)
Low Cab With Opening Front and Side Windows	14.5 kg (32 lb.)
Premium Air-Suspension, Heated Seat With Adjustable Arm- and Headrests	13 kg (28 lb.)
Coolant Heater	4 kg (9 lb.)
Quick Service	11 kg (24 lb.)
Sound-Absorption Package (machines equipped with Tier 3/Stage IIIA and Tier 2/Stage II engines only)	14 kg (31 lb.)
Secondary Steering	26 kg (58 lb.)
Beacon Bracket	8 kg (18 lb.)
Fire Extinguisher	14.5 kg (32 lb.)
Lighting Packages	
10 Halogen Lights	4.5 kg (10 lb.)
18 Halogen Lights	8 kg (18 lb.)
18 LED Lights	7 kg (16 lb.)
High-Front Light Bar for Snowplowing	20 kg (44 lb.)
Auxiliary Hydraulic Control Valve Section and Controls	7 kg (15 lb.)
Hydraulics for Front-Mounted Equipment	9 kg (19 lb.)
Machine Dimensions (continued)	
F Wheelbase	6.16 m (20 ft. 3 in.)
G Overall Length	8.89 m (29 ft. 2 in.)
H Overall Length With Scarifier	9.69 m (31 ft. 9 in.)
I Overall Length With Push Block and Ripper	9.99 m (32 ft. 9 in.)
I' Overall Length With Scarifier and Ripper	10.59 m (34 ft. 9 in.)
<i>For Overall Width see Tires/Wheels on page 24.</i>	





872G / GP SPECIFICATIONS

While general information, pictures, and descriptions are provided, some illustrations and text may include product options and accessories NOT AVAILABLE in all regions, and in some countries products and accessories may require modifications or additions to ensure compliance with the local regulations of those countries.

Engine	872G/GP		
Manufacturer and Model	John Deere PowerTech™ PSS 9.0L	John Deere PowerTech™ Plus 9.0L	John Deere PowerTech™ 9.0L
Non-Road Emission Standard	EPA Final Tier 4/EU Stage V	EPA Tier 3/EU Stage IIIA	EPA Tier 2/EU Stage II
Cylinders	6	6	6
Displacement	9.0L (548 cu. in.)	9.0L (548 cu. in.)	9.0L (548 cu. in.)
Net Engine Power			
Gear 1	183 kW (245 hp)	179 kW (240 hp)	179 kW (240 hp)
Gear 2	190 kW (255 hp)	187 kW (250 hp)	187 kW (250 hp)
Gear 3	201 kW (270 hp)	194 kW (260 hp)	194 kW (260 hp)
Gear 4	205 kW (275 hp)	198 kW (265 hp)	198 kW (265 hp)
Gear 5	212 kW (285 hp)	201 kW (270 hp)	201 kW (270 hp)
Gear 6	220 kW (295 hp)	209 kW (280 hp)	209 kW (280 hp)
Gear 7	224 kW (300 hp)	209 kW (280 hp)	209 kW (280 hp)
Gear 8	224 kW (300 hp)*	209 kW (280 hp)*	209 kW (280 hp)*
Net Peak Torque	1472 Nm (1,097 lb.-ft.)	1330 Nm (991 lb.-ft.)	1330 Nm (991 lb.-ft.)
Net Torque Rise	46%	48%	48%
Aspiration	Series turbocharged, charge-air cooled	Turbocharged, charge-air cooled	Turbocharged, charge-air cooled
Lubrication	Full-flow spin-on filter and integral cooler	Full-flow spin-on filter and integral cooler	Full-flow spin-on filter and integral cooler
Air Cleaner With Restriction Indicator	Dual element, dry	Dual element, dry	Dual element, dry

*6WD not available.

Cooling

Engine Coolant, Extended Life, Rating -37 deg. C (-34 deg. F)

Powertrain

6-Wheel Drive Automatic dual-path hydrostatic drive; increases tractive effort and front-end control; includes separate left and right systems with variable-displacement pumps, axial-piston wheel motors, and freewheel at transport speeds; operator-selectable 15-position rotary aggressiveness control and inching capability down to 0 mph; precision mode (propelled by front wheels only)

Effective Gears	1-7 forward and reverse		
Precision Mode			
Effective Gears	1-3 forward only		
Operating Speeds	0.4-8.0 km/h (0.25-5.0 mph)		
Hydrostatic Pumps (2 each)	60 cm ³ (3.7 cu. in.)		
Wheel Motors	60 cm ³ (3.7 cu. in.)		
Final Reduction	38.7:1		

Transmission Direct-drive John Deere PowerShift Plus™, modulated shift-on-the-go, Event-Based Shifting (EBS), inching pedal; independent transmission reservoir with separate filtration and cooling system with 121-L/min. (32 gpm) gear pump

Gears			
Forward	8		
Reverse	8		

Maximum Travel Speeds *No tire slip at 2,180 rpm, 17.5-R25 tires* *No tire slip at 2,180 rpm, 17.5-R25 tires*

Gear 1	4.0 km/h (2.5 mph)	Gear 5	16.7 km/h (10.4 mph)
Gear 2	5.6 km/h (3.5 mph)	Gear 6	23.2 km/h (14.5 mph)
Gear 3	7.9 km/h (4.9 mph)	Gear 7	32.1 km/h (20.0 mph)
Gear 4	10.9 km/h (6.8 mph)	Gear 8	45.0 km/h (28.0 mph)

Front Axle Heavy-duty welded fabrication

Oscillation (total)	32 deg.
Wheel Lean Angle (each direction)	20 deg.

Differentials Spiral bevel; hydraulically actuated, clutch type can be applied on-the-go; selectable manual or automatic differential lock

Steering (all models include steering wheel) All-hydraulic power-frame articulation for maneuverability and productivity; crab steering reduces side drift, positions tandems on firm ground, and increases side-slope stability; return-to-straight control included in Grade Pro (GP) option

Turning Radius (front steer and articulation)	7.21 m (284 in.) (23 ft. 8 in.)
Articulation (both right and left)	22 deg.

Final Drives Inboard-mounted planetary sealed in cooled, filtered oil

Brakes Foot-controlled, hydraulically operated, multiple wet-disc brakes sealed in pressurized, cooled, filtered oil; both independent systems effective on all 4 tandem wheels

Primary and Secondary Brakes	Hydraulically actuated, inboard of tandem pivot, self-adjusting, sealed in cooled and filtered oil, multi-disc (ISO 3450)
Parking Brake	Automatically spring applied, hydraulically released, oil cooled, self-adjusting (ISO 3450)

872G / GP SPECIFICATIONS



While general information, pictures, and descriptions are provided, some illustrations and text may include product options and accessories NOT AVAILABLE in all regions, and in some countries products and accessories may require modifications or additions to ensure compliance with the local regulations of those countries.

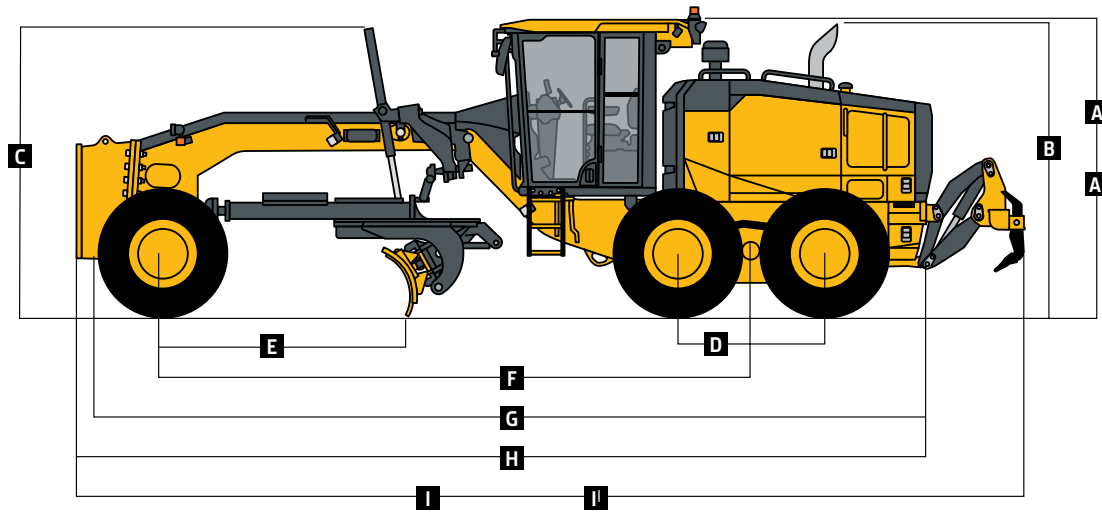
Hydraulics		872G/GP	
Type	Closed-center, pressure-compensated load-sensing (PCLS), variable-displacement piston pump		
Maximum Pump Flow	218 L/min. (57.5 gpm)		
Maximum System Pressure	18 961 kPa (2,750 psi)		
Pump Displacement	90 cm ³ (5.5 cu. in.)		
Blade Function			
All-hydraulic, industry-standard lever placement of blade-function controls; includes float position; 7 discrete saddle positions			
Blade Range			
Lift Above Ground	452 mm (17.8 in.)		
Blade Side Shift (right or left)	683 mm (26.9 in.)		
Pitch at Ground Line			
Forward	42 deg.		
Back	5 deg.		
Shoulder Reach Outside Wheels (frame straight, right or left)	2329 mm (91.7 in.) (7 ft. 8 in.)		
Bank Cut Angle (right or left)	90 deg.		
Blade Pull			
At Maximum Operating Weight	22 453 kg (49,500 lb.)		
Electrical			
Solid-state load center and sealed-switch module	EPA Final Tier 4/EU Stage V	EPA Tier 3/EU Stage IIIA and EPA Tier 2/EU Stage II	
Voltage	24 volt	24 volt	
Number of Batteries	2	2	
Battery Capacity	1,400 CCA	1,400 CCA	
Reserve Capacity	440 min.	440 min.	
Amp-Hour Rating	224 amp-hour	224 amp-hour	
Alternator Rating			
Base	130 amp	100 amp	
Optional	200 amp	130 amp	
Lights	Driving lights; 2 high- and 2 low-beam halogen headlights; front and rear LED turn signals and marker lights; LED brake and hazard warning lights		
Mainframe			
Type	Welded box construction		
Width (minimum)	307 mm (12.1 in.)		
Height (minimum)	307 mm (12.1 in.)		
Thickness			
Side	16 mm (0.63 in.)		
Top and Bottom Plate	30 mm (1.17 in.)		
Modulus			
Minimum Vertical Section	1770 cm ³ (108 cu. in.)		
Average Vertical Section at Saddle	2635 cm ³ (161 cu. in.)		
Draft Frame (drawbar)			
Welded box construction machined for flatness with double ball-and-socket pivot connection			
Circle			
Welded construction, heat-treated, machined for flatness			
	Standard Circle	Premium Circle	
Circle Diameter	1524 mm (60 in.)	1524 mm (60 in.)	
Rotation	360 deg.	360 deg.	
Surface	Quick-change bronze or nylon wear inserts	Sealed and lubricated roller element slewing bearing	
Pinion/Ring-Gear Connection	Adjustable backlash and open for serviceability	No adjustment; fully sealed and lubricated	
Drive	Hydraulic motor and worm gear with positive lock	Hydraulic motor and worm gear with positive lock	
Slip Clutch	Option	Standard	
Circle Side Shift (right and left)	787 mm (31 in.)	787 mm (31 in.)	
Moldboard			
High-strength, pre-stressed for higher strength, wear-resistant, high-carbon steel and reversible end bits; blade side-shift wear system includes quick-change replaceable wear inserts and quick-adjust jackscrew system			
Base Length	4.27 m (168 in.) (14 ft. 0 in.)		
Height (measured along arc, including cutting edge)	686 mm (27 in.)		
Thickness	25 mm (1 in.)		

Cutting Edge		872G/GP	
Dura-Max™ through-hardened steel edge			
Thickness	19 mm (0.75 in.)		
Width	203 mm (8 in.)		
Scarifiers			
	<i>Front</i>	<i>Mid-mount</i>	
Type	V-type toolbar with 2-pitch positions and hydraulic float		Radial linkage, with NeverGrease™ pin joints
Width of Cut	1.20 m (48 in.) (4 ft. 0 in.)		1.19 m (46.7 in.) (3 ft. 11 in.)
Number of Shanks/Teeth	5 (maximum capacity 9)		11
Lift Above Ground	589 mm (23.2 in.)		335 mm (13.2 in.)
Maximum Depth	335 mm (13.2 in.)		325 mm (12.8 in.)
Shank			
Spacing	146 mm (5.75 in.)		117 mm (4.6 in.)
Size	25 x 76 mm (1 x 3 in.)		25 x 76 mm (1 x 3 in.)
Front Lift Group (Balderson-style)			
Parallel linkage, mechanical pins, and hydraulic float			
Lift			
Above Ground (top of tube)	1864 mm (73.4 in.)		
Range	988 mm (38.9 in.)		
Rear Ripper/Scarifier			
Parallel linkage, with NeverGrease pin joints, hydraulic float, and integrated hitch			
	<i>Ripper</i>	<i>Scarifier</i>	
Width of Cut	2.21 m (87.2 in.) (7 ft. 3 in.)		2.18 m (86 in.) (7 ft. 2 in.)
Number of Shanks/Teeth	3 (maximum capacity 5)		None standard (maximum capacity 9)
Lift Above Ground	602 mm (23.7 in.)		810 mm (31.9 in.)
Maximum Depth	426 mm (16.8 in.)		323 mm (12.7 in.)
Force			
Penetration	10 483 kg (23,110 lb.)		—
Pry-Out	14 843 kg (32,724 lb.)		—
Shank Size	61.5 x 133 mm (2.42 x 5.25 in.)		25 x 76 mm (1 x 3 in.)
Operator Station			
Low-profile cab with ROPS (ISO 3471-2008) and FOPS (ISO 3449-2005)			
Tires/Wheels			
	<i>17.5R25 on 356-mm (14 in.) Rim</i>	<i>550/65R25 on 432-mm (17 in.) Rim</i>	<i>20.5R25 on 432-mm (17 in.) Rim</i>
Wheel Tread on Ground	2.16 m (85.0 in.)		2.32 m (92 in.)
Overall Width	2.64 m (104.0 in.)		2.80 m (110 in.)
Ground Clearance (front axle)	587 mm (23.1 in.)		640 mm (25.2 in.)
Serviceability			
Refill Capacities	<i>EPA Final Tier 4/EU Stage V</i>	<i>EPA Tier 3/EU Stage IIIA and EPA Tier 2/EU Stage II</i>	
Fuel Tank	416.5 L (110 gal.)		416.5 L (110 gal.)
Diesel Exhaust Fluid (DEF) Tank	22.5 L (6 gal.)		—
Cooling System	55.0 L (14.5 gal.)		48.5 L (12.8 gal.)
Engine Oil With Filter	28.4 L (7.5 gal.)		28.0 L (7.4 gal.)
Transmission Fluid	23.5 L (6.2 gal.)		28.4 L (7.5 gal.)
Differential Housing	38.0 L (10 gal.)		38.0 L (10 gal.)
Tandem Housings (each)	74.0 L (19.5 gal.)		74.0 L (19.5 gal.)
Circle Gearbox	5.7 L (1.5 gal.)		5.7 L (1.5 gal.)
Hydraulic Reservoir	60.5 L (16 gal.)		53.0 L (14 gal.)
Operating Weights			
With Full Fuel Tank, 4.27-m x 686-mm x 25-mm (14 ft. x 27 in. x 1.0 in.) Moldboard			
With 203-mm x 19-mm (8 in. x ¾ in.) Cutting Edges, 17.5R25 L2 Tires, and 79-kg (175 lb.)			
Operator	<i>EPA Final Tier 4/EU Stage V</i>	<i>EPA Tier 3/EU Stage IIIA and EPA Tier 2/EU Stage II</i>	
Front	5110 kg (11,266 lb.)		5119 kg (11,285 lb.)
Rear	12 902 kg (28,444 lb.)		12 254 kg (27,015 lb.)
Total	18 012 kg (39,710 lb.)		17 372 kg (38,300 lb.)
Typical Operating Weight With Front Push Block, Rear Ripper/Scarifier, and Other Equipment			
Front	6516 kg (14,365 lb.)		6573 kg (14,490 lb.)
Rear	15 084 kg (33,255 lb.)		14 152 kg (31,200 lb.)
Total	21 600 kg (47,620 lb.)		20 725 kg (45,690 lb.)
Maximum Operating Weight	24 948 kg (55,000 lb.)		24 948 kg (55,000 lb.)

While general information, pictures, and descriptions are provided, some illustrations and text may include product options and accessories NOT AVAILABLE in all regions, and in some countries products and accessories may require modifications or additions to ensure compliance with the local regulations of those countries.

Option Weights	872G/GP
Moldboards With Through-Hardened Dura-Max Cutting Edge	
3.96 m x 686 mm x 25 mm (13 ft. x 27 in. x 1 in.) with 203-mm x 19-mm (8 in. x ¾ in.) cutting edge and 16-mm (⅝ in.) hardware	-72 kg (-159 lb.)
4.27 m x 686 mm x 25 mm (14 ft. x 27 in. x 1 in.) with 203-mm x 19-mm (8 in. x ¾ in.) cutting edge and 16-mm (⅝ in.) hardware	0 kg (0 lb.)
4.27 m x 686 mm x 25 mm (14 ft. x 27 in. x 1 in.) with 203-mm x 19-mm (8 in. x ¾ in.) cutting edge and 19-mm (¾ in.) hardware	9.5 kg (21 lb.)
4.88 m x 686 mm x 25 mm (16 ft. x 27 in. x 1 in.) with 203-mm x 19-mm (8 in. x ¾ in.) cutting edge and 19-mm (¾ in.) hardware	137 kg (302 lb.)
Extensions, 610 mm (2 ft.) (right or left)	
For Use With 686-mm (27 in.) Moldboards	120 kg (265 lb.)
Overlay End Bits, Reversible (one pair)	
For 152-mm (6 in.) Cutting Edge	19.5 kg (43 lb.)
For 203-mm (8 in.) Cutting Edge	23 kg (51 lb.)
Heavy-Duty Dual-Input Circle-Drive Gearbox	14 kg (31 lb.)
Circle-Drive Slip Clutch	9 kg (20 lb.)
Circle	
Standard	0 kg (0 lb.)
Premium	255 kg (562 lb.)
Moldboard Impact-Absorption System	43 kg (95 lb.)
Ripper/Scarifier, Rear Mounted With Hitch and Ripper Shanks (3)	1139 kg (2,510 lb.)
Scarifier Shanks With Teeth (9 for rear ripper/scarifier)	68 kg (150 lb.)
Ripper Shanks and Teeth (2)	63 kg (139 lb.)
Rear Counterweight With Integral Rear Hitch	727 kg (1,603 lb.)
Rear Hitch	54.4 kg (120 lb.)
Push Block, Front	1338 kg (2,950 lb.)
Machine Dimensions	
A Height to Top of Cab	3.18 m (10 ft. 5 in.)
A1 Height to Top of Full-Height Cab	3.40 m (11 ft. 2 in.)
B Height to Top of Exhaust	3.13 m (10 ft. 3 in.)
C Height to Top of Blade-Lift Cylinders	3.05 m (10 ft. 0 in.)
D Tandem Axle Spacing	1.54 m (5 ft. 1 in.)
E Blade Base	2.53 m (8 ft. 4 in.)

Option Weights (continued)	872G/GP
Scarifier	
Front Mount With Teeth (5)	831 kg (1,833 lb.)
Mid-Mount With Teeth (11)	1481 kg (3,265 lb.)
Front Lift Group (Balderson-style)	763 kg (1,682 lb.)
Tires	
17.5-R25, Radial, L2 General Purpose	0 kg (0 lb.)
17.5-R25, Radial, G2/L2 Snow	43.5 kg (96 lb.)
17.5-R25, Radial, G3/L3 General Purpose	90 kg (198 lb.)
550/65R25 XLD70 G3/L3 Radial, General Purpose	444 kg (978 lb.)
20.5-R25, Radial, L2 Snow	414 kg (913 lb.)
20.5-R25, Radial, L2 General Purpose	474 kg (1,045 lb.)
Multi-Piece Rims	
356 mm x 635 mm (14 in. x 25 in.)	0 kg (0 lb.)
432 mm x 635 mm (17 in. x 25 in.)	46 kg (102 lb.)
Fenders	
Front	99 kg (218 lb.)
Rear	141 kg (310 lb.)
Low Cab With Opening Front and Side Windows	14.5 kg (32 lb.)
Premium Air-Suspension, Heated Seat With Adjustable Arm- and Headrests	13 kg (28 lb.)
Coolant Heater	4 kg (9 lb.)
Quick Service	11 kg (24 lb.)
Sound-Absorption Package (machines equipped with Tier 3/Stage IIIA and Tier 2/Stage II engines only)	14 kg (31 lb.)
Secondary Steering	26 kg (58 lb.)
Beacon Bracket	8 kg (18 lb.)
Fire Extinguisher	14.5 kg (32 lb.)
Lighting Packages	
10 Halogen Lights	4.5 kg (10 lb.)
18 Halogen Lights	8 kg (18 lb.)
18 LED Lights	7 kg (16 lb.)
High-Front Light Bar for Snowplowing	20 kg (44 lb.)
Auxiliary Hydraulic Control Valve Section and Controls	7 kg (15 lb.)
Hydraulics for Front-Mounted Equipment	9 kg (19 lb.)
Machine Dimensions (continued)	
F Wheelbase	6.16 m (20 ft. 3 in.)
G Overall Length	8.89 m (29 ft. 2 in.)
H Overall Length With Scarifier	9.69 m (31 ft. 9 in.)
I Overall Length With Push Block and Ripper	9.99 m (32 ft. 9 in.)
I1 Overall Length With Scarifier and Ripper	10.59 m (34 ft. 9 in.)
<i>For Overall Width see Tires/Wheels on page 28.</i>	



Additional equipment

Key: ● Standard ▲ Optional or special See your John Deere dealer for further information.

622	672	772	872	Operator's Station
●	●	●	●	Low-profile ROPS/FOPS cab with HVAC (ROPS ISO 3471 / FOPS SAE 3449 Level II)
▲	▲	▲	▲	Low-profile ROPS/FOPS cab utilizing laminated glass with fixed lower front and side opening windows
▲	▲	▲	▲	Opening front and side windows (standard with Grade Pro)
●	●	●	●	Keyless start with multiple security modes
●	●	●	●	Fabric air-suspension seat with armrests and headrest
▲	▲	▲	▲	Premium heated, leather/fabric, high-wide-back, air-suspension seat with armrests (standard with Grade Pro)
●	●	●	●	Sealed-switch module with function indicators
●	●	●	●	Electric rear-window defroster
●	●	●	●	Upper front windshield washers with intermittent wipers
▲	●	●	●	Upper rear windshield washers with intermittent wipers
▲	▲	▲	▲	Lower front intermittent wiper and washer
▲	▲	▲	▲	Powered cab precleaner
▲	▲	▲	▲	Decelerator pedal
▲	▲	▲	▲	Flip-down, right- and/or left-hand cab beacon with bracket
●	●	●	●	Cab prewired for beacon, radio, and auxiliary circuit
●	●	●	●	Front window sun visor
▲	▲	▲	▲	Retractable rear sunshade
●	●	●	●	Rearview mirrors, exterior (2) (SAE J985)
▲	▲	▲	▲	Heated exterior mirrors (2) (SAE J985)
▲	▲	▲	▲	Fire extinguisher
●	●	●	●	High-resolution rear camera with dedicated in-cab monitor (in some markets)
▲	▲	▲	▲	High-resolution front/rear-camera combination with dedicated in-cab monitor
●	●	●	●	Retractable seat belt, 76 mm (3 in.) (SAE 386)
▲	▲	▲	▲	AM/FM radio with auxiliary and Weather Band (WB)
▲	▲	▲	▲	AM/FM radio with Bluetooth®, auxiliary, and WB ready
●	●	●	●	Push-button-activated cruise control

622	672	772	872	Electrical
●	●	●	●	100-amp alternator (Tier 3/Stage IIIA and Tier 2/Stage II)
●	●	●	●	130-amp alternator (FT4/Stage V [optional for Tier 3/Stage IIIA and Tier 2/Stage II])
▲	▲	▲	▲	200-amp alternator (FT4/Stage V)
●	●	●	●	Batteries (2), 1,400 CCA with 440-min. reserve capacity
▲	●	●	●	Left-hand engine compartment service-check light
▲	▲	▲	▲	Right-hand engine compartment service-check light
●	●	●	●	Transporting lights (4 halogen)
▲	▲	▲	▲	Grading lights (10 halogen lights)
▲	▲	▲	▲	Deluxe grading lights (18 halogen lights)
▲	▲	▲	▲	Premium grading lights (18 LED lights)
	▲	▲	▲	Tall front snowplow light bar
●	●	●	●	Multifunction/multi-language diagnostic LCD color monitor
●	●	●	●	Reverse warning alarm (SAE J994)
●	●	●	●	LED brake and turn lights
Moldboard				
Patented pre-stressed, high strength, wear resistant:				
●	●	●		3.66 m x 610 mm x 22 mm (12 ft. x 24 in. x 7/8 in.)
	▲	▲	▲	3.96 m x 686 mm x 25 mm (13 ft. x 27 in. x 1 in.)
▲	▲	▲		4.27 m x 610 mm x 22 mm (14 ft. x 24 in. x 7/8 in.)
	▲	▲	●	4.27 m x 686 mm x 25 mm (14 ft. x 27 in. x 1 in.)
		▲		4.88 m x 686 mm x 25 mm (16 ft. x 27 in. x 1 in.)
●	●	●	●	Quick-change and jackscrew-adjustable moldboard side-shift extreme-duty wear inserts
▲	▲	▲		610-mm (24 in.) left- or right-hand extensions for 610-mm (24 in.) moldboard
		▲	▲	610-mm (24 in.) left- or right-hand extensions for 686-mm (27 in.) moldboard
▲	▲	▲	▲	Reversible overlay endbits
Overall Vehicle				
●	●	●	●	JDLink™ wireless communication system (available in specific countries; see your dealer for details)
●	●	●	●	Ground-level fuel and diesel exhaust fluid (DEF) filling
▲	●	●	●	Fluid-sampling ports for engine oil and coolant, hydraulic oil, and axle and transmission fluids

While general information, pictures, and descriptions are provided, some illustrations and text may include product options and accessories NOT AVAILABLE in all regions, and in some countries products and accessories may require modifications or additions to ensure compliance with the local regulations of those countries.

Net engine power is with standard equipment including air cleaner, exhaust system, alternator, and cooling fan at test conditions specified per ISO9249. No derating is required up to 3050-m (10,000 ft.) altitude. Specifications and design subject to change without notice. Wherever applicable, specifications are in accordance with SAE standards. Except where otherwise noted, these specifications are based on units with standard equipment; 14.0 x 610-mm (24 in.) I2 PR G2, Bias tires and 3.66-m x 610-mm x 22-mm (12 ft. x 24 in. x 7/8 in.) high-strength, wear-resistant moldboards with 16-mm x 152-mm (0.63 in. x 6 in.) Dura-Max® through-hardened-steel cutting edges for the 622G, 672G, and 772G; and 17.5 R 635-mm (25 in.) L2, Radial tires and 4.27-m x 688-mm x 25-mm (14 ft. x 27 in. x 1 in.) high-strength, wear-resistant moldboards with 16-mm x 152-mm (0.63 in. x 6 in.) Dura-Max through-hardened-steel cutting edges for the 872G. Weights include lubricants, coolants, full fuel tanks, and 79-kg (175 lb.) operators.

Additional equipment *(continued)*

Key: ● Standard ▲ Optional or special See your John Deere dealer for further information.

622	672	772	872	Overall Vehicle <i>(continued)</i>
●	●	●	●	Vandal-protection locking for: Cab doors / Top tank radiator-access door / Engine coolant surge tank / Hydraulic reservoir cap / Battery-disconnect switch / Ground-level electrical master disconnect switch / Fuel-tank door and cap / Toolbox
●	●	●	●	Environmental drains with hoses for engine, transmission, hydraulic, differential fluids, and engine coolant
▲	●	●	●	Hydraulically driven cool-on-demand reversing fan
●	●	●	●	Banked easy-access vertical spin-on filters for hydraulic, transmission, and axle fluids
●	●	●	●	Engine rotary ejector precleaner
●	●	●	●	Automatic differential lock
●	●	●	●	Engine-stall prevention and auto shutdown
▲	▲	▲	▲	Adjustable rotary engine precleaner (FT4/Stage V)
	▲	●	●	Heavy-duty air cleaner (FT4/Stage V)
●	●	●		Single-input circle drive
▲	▲	▲		Single-input circle drive with slip clutch
	▲	▲	●	Heavy-duty dual-input circle drive without slip clutch
	▲	▲	▲	Heavy-duty dual-input circle drive with slip clutch
▲	▲	▲	▲	Premium circle
▲	▲	▲	▲	Auto-Shift transmission
▲	▲	▲	▲	Auto-Shift PLUS transmission
▲	▲	▲	▲	Blade-impact-absorption system
▲	▲	▲	▲	Front and/or rear wheel fenders
▲	▲	▲	▲	Quick-service bank for transmission, hydraulic, engine oil, and engine coolant fluid changes
▲	▲	▲	▲	Secondary steering
	▲	▲	▲	Sound-absorption package (Tier 3/Stage IIIA and Tier 2/Stage II)
▲	▲	▲	▲	Wheel chocks
Automation (standard on SmartGrade™ models, optional on GP models)				
▲	▲	▲	▲	Automation Suite
▲	▲	▲	▲	Auto-Articulation
▲	▲	▲	▲	Auto-Gain for Cross Slope
▲	▲	▲	▲	Auto-Pass
▲	▲	▲	▲	Blade Flip
▲	▲	▲	▲	Machine Presets
▲	▲	▲	▲	Machine-Damage Avoidance

622	672	772	872	Front Attachments
▲	▲	▲	▲	Front push block
▲	▲	▲	▲	V-type front scarifier with float position, 5 shanks
▲	▲	▲	▲	Mid-mount scarifier with float position, 11 shanks
▲	▲	▲	▲	Front Balderson-style lift group with float position
▲	▲	▲	▲	Front-mounted dozer blades
Rear Attachments				
●	●	●	●	Full bottom guard with access panel and side guards for rear vehicle protection
▲	▲	▲	▲	Rear-mounted ripper/scarifier combination with rear hitch and pin, 3 ripper shanks
▲	▲	▲	▲	Rear counterweight with rear hitch and pin
▲	▲	▲	▲	Rear hitch and pin
▲	▲	▲	▲	Extra scarifier shanks (9) with teeth for rear ripper scarifier
	▲	▲	▲	Extra ripper shanks (2) with teeth for rear ripper/scarifier
Grade Pro (GP) Option				
●	●	●	●	Low-profile GP cab with opening lower front and side windows
▲	▲	▲	▲	Low-profile GP cab utilizing laminated glass with fixed lower front and side opening windows
●	●	●	●	Premium heated, leather/fabric, high-wide-back, air-suspension seat with armrests
▲	▲	▲	▲	Dual-joystick controls
▲	▲	▲	▲	Fingertip armrest-mounted controls including steering lever
●	●	●	●	Steering wheel
●	●	●	●	Cross slope
●	●	●	●	Return to straight
Grade Control				
▲	▲	▲	▲	SmartGrade available on GP models
▲	▲	▲	▲	Mast mounts
▲	▲	▲	▲	Topcon ready available on G and GP models
▲	▲	▲	▲	Trimble ready available on G and GP models

While general information, pictures, and descriptions are provided, some illustrations and text may include product options and accessories NOT AVAILABLE in all regions, and in some countries products and accessories may require modifications or additions to ensure compliance with the local regulations of those countries.

Net engine power is with standard equipment including air cleaner, exhaust system, alternator, and cooling fan at test conditions specified per ISO9249. No derating is required up to 3050-m (10,000 ft.) altitude. Specifications and design subject to change without notice. Wherever applicable, specifications are in accordance with SAE standards. Except where otherwise noted, these specifications are based on units with standard equipment; 14.0 x 610-mm (24 in.) 12 PR G2, Bias tires and 3.66-m x 610-mm x 22-mm (12 ft. x 24 in. x 7/8 in.) high-strength, wear-resistant moldboards with 16-mm x 152-mm (0.63 in. x 6 in.) Dura-Max® through-hardened-steel cutting edges for the 622G, 672G, and 772G; and 17.5 R 635-mm (25 in.) L2, Radial tires and 4.27-m x 688-mm x 25-mm (14 ft. x 27 in. x 1 in.) high-strength, wear-resistant moldboards with 16-mm x 152-mm (0.63 in. x 6 in.) Dura-Max through-hardened-steel cutting edges for the 872G. Weights include lubricants, coolants, full fuel tanks, and 79-kg (175 lb.) operators.



JOHN DEERE

JohnDeere.com/ graders

IN YOUR WORLD,
**DECIDE HOW YOUR
WORK GETS DONE.**

Take control with more options

Inspired by input from customers like you, John Deere G-Series Motor Graders include a host of innovative options like dual-joystick controls and exclusive automation advantages on Grade Pro (GP) models. Factory-integrated SmartGrade™ configurations. And Precision mode on six-wheel-drive machines. The smaller, more economical 620G and 622G deliver practical power at up to 10-percent fuel savings over their larger siblings. We give you the power of choice to match your application. So you can choose to **Run Your World.**



DKAGGR6 (21-04)