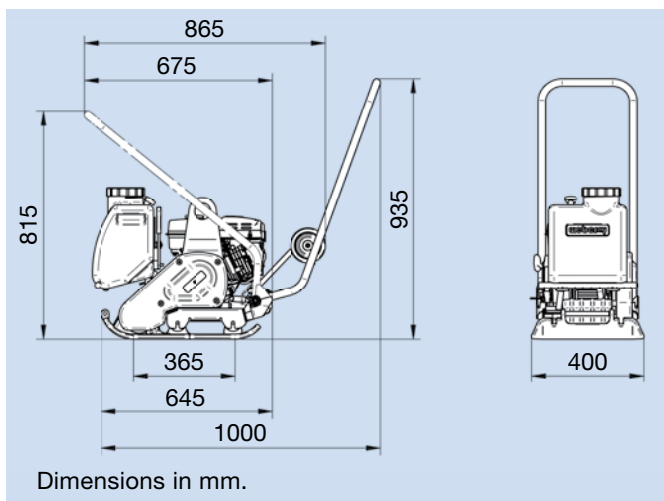


Vibratory Plate CF 1i

CF 1i - everything a small vibratory plate needs.

The forward travel vibratory plate CF 1i is used in landscape applications for the compaction of sand/gravel, block and asphalt pavements and no-slump concrete. The compact design enables effective work in small areas. Carrying handles and a lifting eye ensure easy handling.



Available optional extras

Integrated undercarriage, polyurethane pad, 12 l water tank (for asphalt compaction)

Fields of application

Small areas of sand/gravel, asphalt, no-slump concrete, insulating materials, block pavements, walkway paving stones

Technical data

Type		CF 1i	CF 1i Hd
Operating weight to CECE	kg (lbs)	70 (154)	68 (150)
Centrifugal force	kN (lbs)	11 (2475)	11 (2475)
Frequency	Hz (r.p.m.)	95 (5700)	95 (5700)
Operating width	mm (in.)	400 (15.8)	400 (15.8)
Engine manufacturer		Subaru EX 17	Honda GX 120
Engine type		4-stroke, gasoline	4-stroke, gasoline
Engine power output, max.	kW (HP)	4.2 (5.7)	2.6 (3.6)
Power output at operating speed	kW (HP) at r.p.m.	2.8 (3.8) at 3000	1.8 (2.5) at 3000
Working speed	m/min (ft/min.)	26 (85)	26 (85)

We reserve the right to alter specifications.