

SRV 590 Rammer – 130 lbs

Strong and lightweight: The vibrating tamper SRV 590 raises the bar – its low weight allows for easier handling during work and transport.

The SRV 590 is the solution of choice when it comes to compacting soil for the construction of channels and pipes, for gardening and landscaping purposes and during road construction. Its low weight of 130 lbs. makes the unit easier to transport and handle during work on the construction site. Despite the low weight of the tamper, you can, however, still rely on its robust design: The properties that set this tamping system apart are its durability and its excellent resistance to wear. With the new GXR 120 engine, not only does this machine prove greater engine performance, it also offers lower fuel consumption to the user.

What is more, the powerful, multi-stage air filtration system including cyclone pre-cleaner guarantees a high level of operational safety.



Advantages

- Exceptional tamping capacity
- Long-lasting tamping system: the lubrication system reliably supplies all components housed in the crank- case with oil.
- Block impact safety device prevents damage to the tamping system.
- High degree of wear resistance thanks to specially treated materials, e.g., including a ceramic-like coating of the guide cylinder.
- Low fuel consumption
- Fewer harmful emissions

Advantages

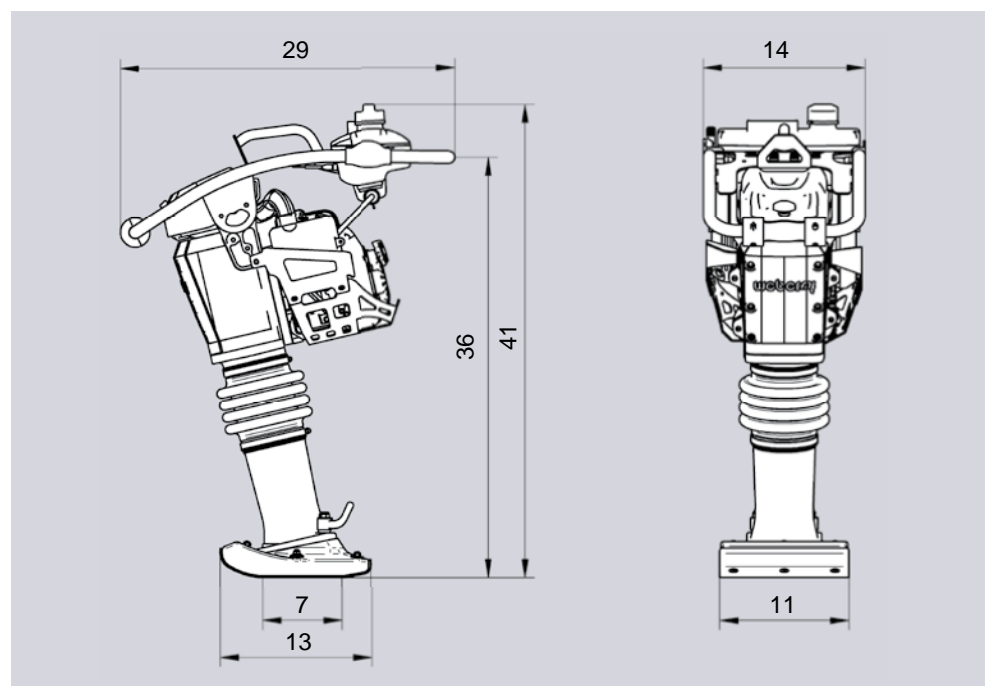
- High level of operational safety thanks to a powerful air filtration system including cyclone pre-cleaner, which prevents dirt from penetrating the engine.
- Easy transport thanks to carrying handles and casters.
- Fuel tank with integrated fuel filter, gas cap with ventilation and bleeding as well as a storage option while tank is being filled.
- Low oil warning built into the SRV 590 (Honda GX 100) prevents the engine from starting if the oil level is too low. LED indicates low oil level.

Technical data

Type		SRV 590
Operating weight CECE	Lbs. (kg)	130 (59)
Shoe width	in (mm)	11 (280)
Percussion, max.	1/min	700
Stroke	in. (mm)	2.5 (64)
Engine manufacturer/type		Honda GXR 120
Engine type		Gasoline
Output, max.	HP (kW)	2.9 (2.1)
Output at operating speed	HP (kW) at rpm	2.5 (1.8) at 4,100

Available accessories: hourmeter and wheelkits

We reserve the right to alter specifications.



Dimensions: inches



SRV 590